

FALL 2008

CONTINENTAL RESOURCES, INC.



TEST & MEASUREMENT CATALOG



Agilent Technologies
Signal Analyzers



Tektronix
Oscilloscopes



ROHDE & SCHWARZ
Bluetooth Testers



KEITHLEY
Source Meters



SPIRENT
Wireless Comm



BUY, RENT & LEASE
NEW & PRE-OWNED TEST EQUIPMENT

800.937.4688
salestm@conres.com
www.conres.com/
test-equipment/tmcatalog



**CONTINENTAL
RESOURCES, INC.**

Agilent RF
Instruments

15%
OFF

More products added!

Offer extended
through 11/28

We've
stacked the lineup
so you can

SCORE BIG

This special offer has just gone
into **EXTRA INNINGS** and now covers more
instruments, so you have until **Nov. 28, 2008**
to score a great deal for your company.

Spectrum analyzers and cable testers

- Agilent EXA Signal Analyzers (excluding 3 GHz model)
- Agilent ESA Spectrum Analyzers
- Agilent CSA Portable Spectrum Analyzers
- Agilent N9320A/B RF Spectrum Analyzer
- Agilent N9340B Handheld Spectrum Analyzer
- Agilent N9330A/B Cable and Antenna Tester

Signal generators

- Agilent MXG Signal Generators
- Agilent ESG Signal Generators
- Agilent N9310A RF Signal Generator

USB power sensors

- Agilent U2000 Series

Add these power-hitters to your bench today. At 15% OFF,
it's easy to build the test team you've always wanted.

Special
15% discount
available only through your
Agilent authorized distributor.

Hurry, ends Nov. 28, 2008.



Agilent Technologies

Authorized Distributor

For more information on this product visit:
www.conres.com/test-equipment/DSO_MSO7000.html

Call for Pricing • 800.937.4688



CONTINENTAL RESOURCES, INC.

BUY, RENT, LEASE!

NEW EQUIPMENT

Tektronix.....	2-7
Agilent.....	8-22
Rohde & Schwarz.....	24-32
Will'Tek.....	33
Keithley.....	34-35
Times Microwave Systems.....	36-37
Instek.....	38-41

RENTAL AND RECONDITIONED INVENTORY

Leading Manufacturers.....	45-55
----------------------------	-------

PRODUCTS AND SOLUTIONS

Continental Resources (CRI) Test and Measurement Division provides technology and solutions to clients by providing them the flexibility to buy, rent or lease new and reconditioned test and measurement equipment.

CRI representatives have engineering and laboratory backgrounds so they are well versed in a variety of technologies. Averaging 8 to 15 years experience in the industry, our reps offer you an unprecedented level of product and industry knowledge. We are proud of the personalized, local support we offer across the country.

This breadth of resources – combined with over four decades of experience and commitment to satisfying your needs, has made CRI the partner of choice for a growing number of Fortune 1000 companies.

We offer Test and Measurement equipment from the following companies, as well as other leading manufacturers:



Tektronix MSO4000 Series Mixed Signal Oscilloscopes

The Ultimate All-in-One Tool for Embedded Design

Now you can visualize analog and digital signals on one Tektronix instrument. The Tek MSO4000 Series Mixed Signal Oscilloscope is a powerful oscilloscope with logic analyzer functionality.

Its familiar oscilloscope operation and innovative user-friendly features have been designed to make your work easier. For example, the Tek MSO4000's impressive 10.4 inch XGA screen allows for easy viewing of analog and digital waveforms, as well as parallel and serial buses. And a next-generation digital waveform display – with color-coded ones and zeros, white edge multiple transition detection, and waveform grouping – provides easy visualization and management of digital waveform data.

Add to this industry-leading specifications (including 60.6 ps digital timing resolution and 10 M standard record length on all analog and digital channels) and you have the ultimate all-in-one debug tool for embedded design.



BUY, RENT, LEASE!

Features

- 1GHz, 500MHz, 350MHz models
- 2 or 4 analog channel models
- 16 digital channels with parallel bus display and triggering
- Sample rates up to 5GSa/s on all channels
- 10 M sample record length on all channels
- Wave Inspector® controls for fast pan, zoom and search
- 10.4 in. (264 mm) XGA color display
- Small footprint and light weight-only 5.4 in. deep and 11 lbs.
- USB and compact flash on front panel for quick and easy storage
- Plug-and-play PC connectivity
- I2C, SPI, CAN, LIN, FlexRay and RS-232 serial triggering and analysis options
- Multi-channel setup and hold triggering
- MagniVu™ technology for 60.6 ps resolution on digital channels

	MSO4104	MSO4054	MSO4034	MSO4032
Analog Channels	4	4	4	2
Digital Channels	16	16	16	16
Bandwidth	1GHz	500MHz	350MHz	350MHz
Sample Rate (all channels)	5.0GSa/s	2.5GSa/s	2.5GSa/s	2.5GSa/s
Record Length (all channels)	10MSa	10MSa	10MSa	10MSa
Triggering	Edge, sequence (B-trigger), pulse width, runt, logic, setup & hold, rise/fall time, video, parallel bus (I2C bus, SPI bus, CAN, LIN and FlexRay bus optional) – RS-232			
Price	\$ 17,200	\$ 13,900	\$ 10,900	\$ 8,700

For more information on this product visit:
www.conres.com/test-equipment/mso4000.html



BUY, RENT, LEASE!

Tektronix DPO4000 Series Digital Phosphor Oscilloscopes

The Tek DPO4000 Series is a portfolio of digital phosphor oscilloscopes designed specifically for engineers and technicians who develop and debug complex electronic designs. With the largest display and highest resolution of any oscilloscope in its class, you'll see more information and see it better than ever.

For more information on this product visit:
www.conres.com/DPO4000.htm



	DPO4034	DPO4054	DPO4104
Bandwidth	350MHz	500MHz	1GHz
Sample Rate	2.5GSa/s	2.5GSa/s	5GSa/s
Channels	4	4	4
Record Length	10MSa	10MSa	10MSa
Price	\$ 9,300	\$ 11,400	\$ 14,000

Tektronix MSO/DPO4000 Series

Recommended Probes		
TAP1500	1.5GHz TekVPI™ Active Probe	\$ 1,830
TDP0500	500MHz TekVPI™ 42V Differential Probe	\$ 2,790
TDP1000	1GHz TekVPI™ 42V Differential Probe	\$ 3,890
TCP0030	120MHz TekVPI™ 30 Ampere AC/DC Current Probe	\$ 2,750
TCPA300/400*	Current Measurement Systems	Various
P5205*	1.3kV, 100MHz High-Voltage Differential Probe	\$ 1,100
P5210*	5.6kV, 50MHz High-Voltage Differential Probe	\$ 2,200
P5100	2.5kV, 100X High-Voltage Passive Probe	\$ 375
ADA400A*	100X, 10X, 1X, 0.1X High-Gain Differential Amplifier	\$ 1,450
NEX-HD2HEADER	Micror Connector on a Target to 0.1 inch Header Pins	\$ 250
Recommended Accessories		
071-1844-xx	Service Manual (English Only)	\$ 100
FPGAView-xx	FPGA Support for Altera and Xilinx	Various
SIGEXPTE	National Instruments SignalExpress™ Tektronix Edition Software	\$ 699
TPA-BNC	TekVPI™ to TekProbe BNC Adapter	\$ 395
TEK-USB-488	GPIB to USB Adapter	\$ 605
119-6827-00	CompactFlash to USB Memory Card Reader	\$ 22
AC4000	Soft Transit Case	\$ 185
HCTEK4321	Hard Transit Case (Requires AS4000)	\$ 425
RM4000	Rackmount Kit	\$ 350
AMT75*	1GHz, 75Ω Adapter	\$ 840
Recommended Application Modules		
DPO4AUTO	Automotive Serial Triggering and Analysis Module (CAN, LIN)	\$ 1,250
DPO4AUTO/MAX	Automotive Serial Triggering and Analysis Module (FlexRay, CAN, LIN)	\$ 4,500
DPO4EMBD	Computer Serial Triggering and Analysis Module (I ² C, SPI)	\$ 1,250
DPO4COMP	Computer Serial Triggering and Analysis Module (Rs-232/422/485/UART)	\$ 1,250
DPO4VID	HDTV and Custom Video Triggering Module	\$ 750

* Requires TekVPI™ to TEKProbe BNC adapter (TPA-BNC)



Tektronix DPO3000 Series Digital Phosphor Oscilloscopes

Feature-Rich Tools for Debugging Mixed Signal Designs

The Power to Solve Problems Quickly – The Tek DPO3000 Series digital phosphor oscilloscopes (DPO) deliver the performance you need to visualize even your most demanding signals. Bandwidths range from 100MHz to 500MHz. With all models offering a minimum of 5x over-sampling on all channels and sin(x)/x interpolation standard, you can be confident that even the fastest transient events will be captured and displayed accurately. The standard 5M record length on all channels enables you to capture long windows of signal activity while maintaining fine timing resolution. The 50,000 wfms waveform capture rate maximizes the probability of capturing elusive glitches and other infrequent events.



BUY, RENT, LEASE!

For more information on this product visit:
www.conres.com/test-equipment/DPO3000.html

	DPO3012	DPO3014	DPO3032	DPO3034	DPO3052	DPO3054
Bandwidth	100MHz	100MHz	300GHz	300GHz	500MHz	500MHz
Sample Rate	2.5GSa/s	2.5GSa/s	2.5GSa/s	2.5GSa/s	2.5GSa/s	2.5GSa/s
Channels	2	4	2	4	2	4
Record Length	5MSa	5MSa	5MSa	5MSa	----	----
Price	\$ 4,450	\$ 5,350	\$ 6,400	\$ 7,700	\$ 9,250	\$ 10,900

Tektronix MSO/DPO3000 Series Recommended Probes, Accessories, and Application Modules

Recommended Probes		
TAP1500	1.5GHz TekVPI™ Active Probe	\$ 1,830
TDP0500	500MHz TekVPI™ 42 V Differential Probe	\$ 2,790
TCP0030	120MHz TekVPI™ 30 Ampere AC/DC Current Probe	\$ 2,750

Recommended Accessories		
071-1844-xx	Service Manual (English Only)	\$ 100
SIGEXPTE	National Instruments SignalExpress™ Tektronix Edition Software	\$ 699
TPA-BNC	TekVPI™ to TekProbe BNC Adapter	\$ 395
TEK-USB-488	GPIB to USB Adapter	\$ 605
AC4000	Soft Transit Case	\$ 185
HCTEK4321	Hard Transit Case (Requires AS4000)	\$ 625
RM3000	Rackmount Kit	\$ 350

* Requires TekVPI™ to TEKProbe BNC adapter (TPA-BNC)



Tektronix TDS1000B and 2000B Series Digital Storage Oscilloscopes

The Tek TDS1000B and TDS2000B Series digital storage oscilloscopes deliver an unbeatable combination of performance and ease-of-use at a price you can afford.

The Tek TDS1000B and TDS2000B Series oscilloscopes provide accurate real-time acquisition up to their full bandwidth, the same record length at all time base settings, advanced triggers to isolate signals of interest, and 11 standard automatic measurements on all models. Their Fast Fourier Transform (FFT) and waveform add, subtract, and multiply math functions allow you to analyze, characterize and troubleshoot circuits.

For more information on this product visit:
www.conres.com/test-equipment/TDS1000B_2000B.htm



BUY, RENT, LEASE!

Features:

- Sample Rates up to 2GSa/s Real Time
- Color or Monochrome LCD Display
- Removable Data Storage via Front Panel USB Port
- FFT Standard on All Models
- 11 Automatic Measurements
- Direct Print to all PictBridge® Compatible Printers via USB Device Port

Model #	Description	Price
TDS1001B	40MHz, 2 CH, 500MSa/s, Monochrome DSO	\$ 860
TDS1002B	60MHz, 2 CH, 1GSa/s, Monochrome DSO	\$ 1,050
TDS1012B	100MHz, 2 CH, 1GSa/s, Monochrome DSO	\$ 1,270
TDS2002B	60MHz, 2 CH, 1GSa/s, Color DSO	\$ 1,270
TDS2004B	60MHz, 4 CH, 1GSa/s, Color DSO	\$ 1,530
TDS2012B	100MHz, 2 CH, 1GSa/s, Color DSO	\$ 1,640
TDS2014B	100MHz, 4 CH, 1GSa/s, Color DSO	\$ 1,990
TDS2022B	200MHz, 2 CH, 2GSa/s, Color DSO	\$ 1,880
TDS2024B	200MHz, 4 CH, 2GSa/s, Color DSO	\$ 2,290

Tektronix TDS1000B & 2000B Series Recommended Probes, Accessories, and Application Modules

Model #	Description	Price
P2220	Replacement 10X-1X Probe	\$ 99
AC2100	Soft Carrying Case	\$ 85
HCTEK4321	Hard Carrying Case (requires AC2100)	\$ 625
RM2000B	Rack Mount Kit	\$ 300
SIGEXPTE	Signal Express Prof. Software	\$ 699
TEK-USB-488	GPIB to USB Adapter	\$ 605



Tektronix TDS3000C Series of Digital Phosphor Oscilloscopes

Performance in an Affordable Package! The Tek TDS3000C Series digital phosphor oscilloscopes (DPO) provide you with the performance you need at a price you can afford. Bandwidths range from 100MHz to 500MHz, with up to 5GSa/s sample rates for accurate representation of your signal.



BUY, RENT, LEASE!

	TDS3012C	TDS3014C	TDS3032C	TDS3034C	TDS3052C	TDS3054C
Display Monitor	Color LCD	Color LCD	Color LCD	Color LCD	Color LCD	Color LCD
Bandwidth	100MHz	100MHz	300MHz	300MHz	500MHz	500MHz
Channels	2	4	2	4	2	4
Sample Rate on each Channel	1.25GSa/s	1.25GSa/s	2.5GSa/s	2.5GSa/s	5.0GSa/s	5.0GSa/s
Record Length	10k	10k	10k	10k	10k	10k
Time Base Accuracy	20ppm	20ppm	20ppm	20ppm	20ppm	20ppm
Price	\$ 4,000	\$ 4,800	\$ 5,800	\$ 6,950	\$ 8,350	\$ 9,990

Options	Price
C3 Calibration Service 3 Years	\$ 470
C5 Calibration Service 5 Years	\$ 885
D1 Calibration Data Report	\$ 50
D3 Calibration Data Report 3 Years (with Option C3)	\$ 100
D5 Calibration Data Report 5 Years (with Option C5)	\$ 200
R5 Repair Service 5 Years	\$ 385

For more information on this product visit:
www.conres.com/test-equipment/tds3000c.html

Additional Options	Description	Price
TDS3AAM	Advanced Analysis Module. Define waveforms as arbitrary math expressions, adds area measurements, differentiation & integration, averaging, and measurement statistics.	\$ 510
TDS3LIM	Limit Test Module. Compares live signals to user created templates for Go/No-Go limit testing.	\$ 510
TDS3TMT	Telecom Mask Testing Module. Pass/Fail test masks to ITU-T G.703 and ANSI TL102 standards.	\$ 1,030
TDS3VID	Extended Video Module. Adds Line count trigger, custom video scan & field rates, IRE units readout, video graticules, vectorscope capabilities.	\$ 510
TDS3SDI 601	Serial Digital Video Interface	\$ 2,500
TDS3BATC	Lithium Ion Battery Pack	\$ 495
TDS3CHG	Battery Charger	\$ 135
TDS3GV	GPIB, RS-232, VGA Port with Software	\$ 405
RM3000	Rack Mount Kit	\$ 350
AC3000	Soft Carrying Case	\$ 180



Tektronix AFG3011, AFG3021B and AFG3022B Arbitrary Function Generators

Tektronix is pleased to announce three new models Tek AFG3011, AFG3021B and AFG3022B. These new models add GPIB and LAN interfaces, 4 x 128k waveform memory and a standard USB cable to the 25MHz models and replace the non-B AFG3021 and AFG3022 models.

The GPIB and LAN interface enhancements enable the 25MHz models of the Tek AFG3000 Series to compete successfully in opportunities where GPIB and LAN connectivity are a hard requirement.

Unmatched performance, versatility, intuitive operation, and affordability make the Tek AFG3000 Series of Function, Arbitrary Waveform, and Pulse Generators the most useful instruments in the industry.

Features:

- 10 MHz, 25 MHz, 100 MHz or 240 MHz Sine Waveforms
- 14 bits, 250 MS/s, 1GS/s, or 2GS/s Arbitrary Waveforms
- Amplitude up to 20Vp-p into 50Ω loads
- 5.6" Display for Full Confidence in Settings and Waveform Shape
- Multi-language and Intuitive Operation Saves Set-up Time
- Pulse Waveform with Variable Edge Times
- AM, FM, PM, FSK, PWM
- Sweep and Burst
- Dual Channel Models Save Cost and Bench Space
- USB Connector on Front Panel for Waveform Storage on Memory Device
- USB, GPIB and LAN
- LabVIEW and LabWindows/IVI-C drivers

For more information on this product visit:

www.conres.com/AFG3000_31.htm



Product	Description	Price
AFG3011	Arbitrary/Function Generator, 10MHz, 1 channel	\$ 3,500
AFG3021B	Arbitrary/Function Generator, 25MHz, 1 channel	\$ 1,900
AFG3022B	Arbitrary/Function Generator, 25MHz, 2 channels	\$ 2,850
AFG3101	Arbitrary/Function Generator, 100MHz, 1 channel	\$ 3,600
AFG3102	Arbitrary/Function Generator, 100MHz, 2 channels	\$ 4,800
AFG3251	Arbitrary/Function Generator, 240MHz, 1 channel	\$ 6,400
AFG3252	Arbitrary/Function Generator, 240MHz, 2 channels	\$ 8,500

Don't see the product you're looking for?
Visit our website at www.conres.com/test-equipment
or call us at 800.937.4688 to find out if the equipment
you need is in stock!

Agilent InfiniiVision DSO/MSO 7000 Series Oscilloscopes

Agilent has been the fastest growing oscilloscope supplier since 1997 (source: Prima Data, 2006).

Wonder why? Agilent engineers developed the 7000 Series with the advanced technology that will allow you to see more subtle signal detail and more infrequent events than any other scope on the market. See the InfiniiVision 7000 Series oscilloscope—the industry’s best for signal viewing.



BUY, RENT, LEASE!

Model #	Bandwidth	Max Sample Rate	Memory	Channels	Price
DSO7032A	350MHz	2GSa/s	8Mpts	2	\$ 6,950
MSO7032A				4	\$ 9,000
DSO7034A				2	\$ 8,850
MSO7034A				4	\$ 11,330
DSO7052A	500MHz	4GSa/s	8Mpts	2	\$ 9,300
MSO7052A				4	\$ 13,300
DSO7054A				2	\$ 11,050
MSO7054A				4	\$ 14,500
DSO7104A	1GHz	4GSa/s	8Mpts	4	\$ 13,950
MSO7104A				4	\$ 17,900

For more information on this product visit:
www.conres.com/test-equipment/DSO_MS07000.html

Additional Options	Description	Price
N2735A	2 ch 350MHz DSO to upgrade kit	\$ 2,050
N2735A	4 ch 350MHz DSO to MSO upgrade kit	\$ 2,480
N2736A	2 ch 500MHz DSO to MSO upgrade kit	\$ 4,000
N2736A	4 ch 500MHz DSO to MSO upgrade kit	\$ 3,450
N2737A	1GHz DSO to MSO upgrade kit	\$ 3,950
SEC	Secure Environment Mode — Provides compliance with National Industrial Security Program Operating Manual (NISPOM) Chapter 8 requirements (factory-installed option only for new purchase)	\$ 510
A6J	ANSI Z540 compliant calibration	\$ 304
N2732A	Rackmount kit for 7000 Series Oscilloscope	\$ 500
N2733A	Soft carrying case for 7000 Series Oscilloscope	\$ 150
GemStar 5000	Transit case with foam molding customized for InfiniiVision 7000 Series available from GemStar Mfg	-----



**Agilent InfiniiVision DSO/MSO
6000 Series Oscilloscopes**

The Agilent 6000 series provides the fastest way to capture analog, digital, and serial signals in real time, triggering from any combination of input channels. The 6000 Series provides the performance and problem - solving tools that you need to gain superior insight into the testing and troubleshooting of mixed - signal designs in a single instrument.



BUY, RENT, LEASE!

For more information on this product visit:
www.conres.com/test-equipment/agilent6000series.htm

Model #	Bandwidth	Max Sample Rate	Memory	Channels	Price
DSO6032A	300MHz	2GSa/s	MegaZoom III memory, 8 Mpts	2	\$ 6,950
MSO6032A				2+16	\$ 9,000
DSO6034A				4	\$ 8,850
MSO6034A				4+16	\$ 11,330
DSO6052A*	500MHz	4GSa/s		2	\$ 9,300
MSO6052A*				2+16	\$ 13,300
DSO6054A*				4	\$ 11,050
MSO6054A*				4+16	\$ 14,500
DSO6102A*	1GHz	4GSa/s		2	\$ 12,000
MSO6102A*				2+16	\$ 15,900
DSO6104A*				4	\$ 13,950
MSO6104A*				4+16	\$ 17,900

**Maximum sample rate and memory are interleaved*

Upgrades and Options

Upgrade	Option	Description	Price
N2911A	8ML	8M memory, 601xA/603xA	\$ 513
N2913A	8MH	8M memory, 605xA/601xA	\$ 1,030
N2914A	----	MSO upgrade, 601xA/603xA	\$ 2,054
N2915A	----	MSO upgrade, 605xA/610xA	\$ 3,288
N5423A	----	I ² C/SPI Serial Decode	\$ 1,250
N5424A	----	CAN/LIN Automatic Triggering & Decode	\$ 1,250
N5406A	----	FGPA Dynamic Prob	\$ 1,535

Probes			
10073C	----	10:1 Probe, 500MHz	\$ 296
1144A	----	800MHz Active Probe	\$ 1,026
1145A	----	750MHz Active Probe, 2-Channel	\$ 1,227
1142A	----	Power supply for 1144a/1145A	\$ 935
1156A	----	1.5GHz Active Probe	\$ 2,336

Agilent InfiniiVision DSO5000 Series Digital Storage Oscilloscopes

The 5000 Series oscilloscopes leverage the same third generation MegaZoom III technology blocks used in our higher performance bench and lab oscilloscopes – responsive deep memory, fast update rates with minimal “dead time”, and analog-like display systems – and deliver them in a compact package, at a price similar to oscilloscopes with older technology blocks.

Catch problems sooner and cover more of your debug checklist – our 100,000 waveform per second update rate helps you find intermittent problems more than 25x faster than comparable scopes.

For more information on this product visit:
www.conres.com/test-equipment/dso5000.html



Features:

- 100MHz, 300MHz, and 500MHz bandwidths
- 2 or 4 channels
- MegaZoom III memory and display technology
- Up to 1 Mpts acquisition memory
- Up to 100,000 waveforms per second real-time update rate
- High-definition XGA (1024 x 768) display with 256 levels of intensity grading
- Up to 12 bits of vertical resolution, even in single-shot acquisitions
- Complete connectivity-standard

Model #	Description	Price
DSO5012A	100MHz, 2 channel portable oscilloscope	\$ 4,151
DSO5014A	100MHz, 4 channel portable oscilloscope	\$ 5,023
DSO5032A	300MHz, 2 channel portable oscilloscope	\$ 5,637
DSO5034A	300MHz, 4 channel portable oscilloscope	\$ 7,072
DSO5052A	500MHz, 2 channel portable oscilloscope	\$ 8,405
DSO5054A	500MHz, 4 channel portable oscilloscope	\$ 10,245

Agilent DSO3000 Series Oscilloscopes

The 3000 Series 2-Channel oscilloscopes redefine economy scopes by offering large color displays for easy viewing, and advanced measurement and triggering capability for analysis all – at budget-minded prices. With up to 1GSa/s sample rate and nearly 2 times the memory depth of other leading scopes, the 3000 Series helps you gain better insight into signal details. USB, GPIB, and RS-232 connectivity available.



BUY, RENT, LEASE!

	DSO3062A	DSO3102A	DSO3152A	DSO3202A
Bandwidth	60MHz	100MHz	150MHz	200MHz
Channels	2 w/additional trigger O/P			
Price	\$ 1,152	\$ 1,415	\$ 1,571	\$ 1,729

For more information on this product visit: www.conres.com/test-equipment/DSO_3000.html

Optional Additions

Model #	Description	Price
N2861A	GPIB, RS-232C Interface	\$ 364
N2864A	Rackmount Kit	\$ 260

Agilent Infiniium 8000 Series Oscilloscopes

The Infiniium 8000 Series oscilloscopes provide superior mixed-signal analysis with the industry's deepest memory of up to 128Mpts mapped to the highest definition display system, made possible by Agilent's patented next-generation MegaZoom technology.



BUY, RENT, LEASE!

	DSO8064A	MSO8064A	DSO8104A	MSO8104A
Bandwidth	600MHz		1GHz	
Sample Rate	4GSa/s		4GSa/s	
Channels	4	4+16	4	4+16
Memory Depth	1Mpts Standard, 128 Optional			
Price	\$ 13,800	\$ 17,557	\$ 16,900	\$ 20,689

For more information on this product visit:
www.conres.com/test-equipment/agilent8000series.htm

Agilent U1600A Series Handheld Digital Oscilloscopes

Models Available: **U1602A, U1604A**

The new U1600A Series is designed to address portability across a broad range of demanding industries. The U1600A Series give a new meaning to high-performance versatility.

The Agilent U1602A is a 20MHz HH scope that offers superior sampling rate, memory depth, and math functions. The Agilent U1602A has an isolated digital multimeter and scope input.

The Agilent U1604A has the superior sampling rate, memory depth and math functions of the U1602A. The bandwidth is increased to 40MHz and additional FFT math functions are added. The Agilent U1604A has an isolated digital multimeter and scope input.



Features:

- 4.5 inch color display
- 200MHz sampling rate for excellent accuracy
- Various waveform functions for immediate analysis
- High speed USB 2.0 connectivity
- 125kB memory per channel
- Isolated DMM and Scope inputs
- Superior sampling rate, memory depth, and math functions
- Contains a built-in frequency counter and square wave generator

Model #	Description	Price
U1602A	20MHz Handheld Digital Oscilloscope	\$ 1,355
U1604A	40MHz Handheld Digital Oscilloscope	\$ 1,692




Optional Additions

Model #	Description	Price
Opt. 001	USB Host Option	\$ 151
U1562A	100:1 Scope Probe	\$ 151
U1590A	Soft Case	\$ 60.35

For more information on this product visit:
www.conres.com/test-equipment/U1600a_series.htm

Agilent Converters

The easiest way to plug instruments into the work environment. Mix and match virtually any combination of instruments and interfaces. You can establish error-free connections in less than 15 minutes using Agilent 10 Libraries Suite.

From...=>	To Converter...=>	To PC via...	Features	Price
GPIB...	Agilent 82357B USB/GPIB Gateway 	...USB	-High-speed USB 2.0 with auto configuration -GPIB transfer rate of more than 1.15MB/s -Connect to up to 14 instruments	\$ 501
GPIB...	Agilent E5810A LAN/GPIB gateway 	...LAN	-Share equipment and collaborate globally -10BASE-T/100BASE-TX LAN for remote control of GPIB instruments -Digital display and built-in Web Browser for easy setup/configuration	\$ 1,040
GPIB...	Agilent E5813A networked 5-port USB hub 	...USB	-Connect USB devices anywhere on the LAN -Eliminate 5-meter distance limitation for USB -No switches to set, no PC cards to install	\$ 447

NEW! Agilent N9340B Handheld Spectrum Analyzer

Regardless of whether you are handling military communications, a Wireless Service Provider (WSP), or involved with spectrum management, you need to avoid intermittent communication. The N9340B provides you with a reliable, accurate and detailed picture of the spectrum over which you are working

When you test, you need fast data capture to help locate and identify elusive, transient interference signals. That's why every N9340B spectrum analyzer has a truly fast sweep time. It requires less time to measure across the bandwidth, to obtain more reliable test results – and helps you achieve more for the same investment of time and money.



For more information on this product visit:
www.conres.com/test-equipment/n9340b.html

BUY, RENT, LEASE!

Features:

- 6.5" TFT display for indoor and outdoor use
- 11 language user interface
- Built in light sensor to adjust brightness automatically
- USB memory stick interface
- SCPI control over USB/LAN
- 4 hour battery operating time

Optional Additions

Model #	Description	Price
N9340B	3GHz handheld spectrum analyzer	\$ 7,982
N9340B-PA3	3GHz preamplifier	\$ 639
N9340B-TG3	3GHz tracking generator	\$ 2,113
N9340B-AMA	AM/FM modulation analysis	\$ 579
N9340B-DMA	ASK/FSK modulation analysis	\$ 579
N9340B-BAT	Spare battery pack	\$ 183
N9340B-BCG	External battery charger	\$ 193
N9340B-ADP	Spare AC/DC adapter	\$ 152
N9340B-1DC	12V automotive charger	\$ 40.60
N9340B-1TC	Hard transit case	\$ 305



NEW! Agilent N9330A and N9330B Handheld Spectrum Analyzers

The brand new Agilent N9330A and N9330B have the best performance and price for a cable and antenna tester in 4 GHz frequency range. The rugged and sturdy design combine with the bright TFT screen and backlit keypad to make both models perfect for field use. Not only can the N9330B run tests in 1.6 seconds at full span, but is very accurate with high resolution at 521 data points. This model comes with USB for unlimited external storage and remote control. Free powerful PC software is offered which includes: trace analysis, trace comparison, Smith chart, customized reports and data file management.



Features:

- Bright TFT display and backlit keys for N9330B
- 25MHz to 4GHz
- Measurement accuracy:
- 38dB corrected directivity after electronic calibration
- 42dB corrected directivity after mechanical calibration
- Max. 521 data points
- Phase-stable extension cable 1.5m, N (M) to N(F)
- Phase-stable extension cable 1.5m, N (M) to 7/16 DIN(M)
- Connector adaptor, N(M) to 7/16 DIN (F)
- Spare battery pack
- Spare AC/DC adapter

For more information on this product visit:

www.conres.com/test-equipment/n9330a.html

www.conres.com/test-equipment/N9330B.html

BUY, RENT, LEASE!

Model #	Description	Price
N9330A	25MHz-4GHz Handheld Cable & antenna Tester	\$ 6,318
N9330B	25MHz-4GHz Handheld Cable & Antenna Tester	\$ 6,946
N9330B-201	Precision mechanical short/open/50ohm load, DC to 4GHz, N(M)	\$ 863
N9330B-202	Precision mechanical short/open/50ohm load, DC to 4GHz, 7/16 DIN(M)	\$ 926
N9330B-203	Electronic calibrator	\$ 499
N9330B-BCG	External battery charger	\$ 198
N9330B-1DC	12V automotive charger	\$ 42
N9330B-1TC	Hard transit case	\$ 312
N9330B-301	Phase-stable extension cable 1.5m, N (M) to N(F)	\$ 447
N9330B-302	Phase-stable extension cable 1.5m, N (M) to 7/16 DIN(M)	\$ 499
N9330B-303	Connector adaptor, N(M) to 7/16 DIN (F)	\$ 85
N9330B-BAT	Spare battery pack	\$ 187
N9330B-ADP	Spare AC/DC adapter	\$ 156
N9330B-ABA & AB2	User Guide Hard Copy	\$ 52

Agilent N9320A – Bench Spectrum Analyzer

Agilent N9320A spectrum analyzer provides results quickly whether you are identifying and eliminating sources of unwanted interference or checking the stability of circuit components or sub-assemblies. In today's competitive world, you need this analysis to be fast, accurate, and reliable yet, most importantly, truly cost-effective.



For more information on this product visit:

www.conres.com/n9320a.htm

Model #	Description	Frequency	Bandwidth	Price
N9320A	RF Spectrum Analyzer	9kHz to 3GHz	10Hz~1MHz	\$ 7,557
N9320A-PA3	RF Spectrum Analyzer-3GHz Pre-amplifier feature	9kHz to 3GHz	10Hz~1MHz	\$ 624
N9320A-TG3	RF Spectrum Analyzer-3GHz Tracking Generator	9kHz to 3GHz	10Hz~1MHz	\$ 2,675
N9320A-ICM	RF Spectrum Analyzer-Rackmount Kit	9kHz to 3GHz	10Hz~1MHz	\$ 208
N9320A-1TC	RF Spectrum Analyzer-Hard Transit Case	9kHz to 3 GHz	10Hz~ MHz	\$ 416

Agilent N9310A – RF Signal Generator

The Agilent N9310A is ideal for electronic manufacturing test for modern consumer products like cordless phones, digital radios, GPS modules, RFIDs and wireless LAN devices. It is the first in this new entry-level of RF basic instruments. It comes with all the capability and reliability you need – at a price you always wanted.



For more information on this product visit:
www.conres.com/n9310a.htm

BUY, RENT, LEASE!

Model #	Description	Frequency	Bandwidth	Price
N9310A	RF Signal Generator	9kHz to 3GHz	40MHz	\$ 6,980
N9310A-001	RF Signal Generator–Analog IQ Input Capability	9kHz to 3GHz	40MHz	\$ 936
N9310A-1CM	RF Signal Generator–Rackmount Kit including Handle and Flange Kits	9kHz to 3GHz	40MHz	\$ 208
N9310A-1TC	RF Signal Generator–Hard Transit Case	9kHz to 3GHz	40MHz	\$ 416

Agilent E440xB-ESA Series Portable Spectrum Analyzers

ESA Express Analyzers include ESA-E and ESA-L Series spectrum analyzers that contain additional capabilities that are either included in the base price of the instrument or are favorably priced.



Three Different Express Analyzers

- **ESA Basic Analyzers:** Quality ESA-L spectrum analysis at an affordable price. The Power Suite measurement application is included, which provides many easy-to-use 1-button power measurements. Limited additional options are available.
- **ESA Standard Analyzers:** Mid-performance ESA-E spectrum analysis and an expanded set of included features plus Power Suite. Additional options available: noise figure, phase noise, cable fault, cable TV, and more.

BUY, RENT, LEASE!

- **ESA Communication Test Analyzers:** Includes the same performance of the Standard ESA-E Analyzer with additional built-in demodulation hardware. Additional options available: connection to 89601A vector signal analysis software, modulation analysis, GSM/GPRS, cdma One, noise figure, phase noise, and more.

Express Analyzer Model #	Max. Frequency	Amplitude Accuracy	3rd Order Intermod.	Price
Std. E4402B ESA-E	3GHz	± 0.4dB	+16dBm	\$ 14,758
Comms Test E4402B ESA-E				\$ 20,520
Basic E4408B ESA-L	26.5GHz	± 1.1dB	+7.5dBm	\$ 26,293

For more information on this product visit:
www.conres.com/test-equipment/E440xB_ESA.html

Agilent EXA Series Signal Analyzers

The outstanding accuracy of the EXA lets you accelerate from design into manufacturing and helps reduce your overall cost of test. When you need speed without compromise, the Agilent EXA signal analyzer lets you make every millisecond count.



Eliminate the compromise between speed and price!

The Agilent EXA is the industry's fastest economy-class signal analyzer. Its speed and accuracy, coupled with its unprecedented performance and application coverage, provides development and manufacturing engineers with the capabilities to cost effectively troubleshoot new designs, increase manufacturing throughput, or analyze complex and time-varying signals.

The EXA seamlessly integrates a broad range of standards-based measurements with Agilent's industry leading 89600 vector signal analysis (VSA) software - all in a single instrument. In addition to the use of an open Windows® XP Professional operating system, the EXA provides an advanced signal analysis user interface. All measurement features and functions are intuitively grouped and accessible from the front panel or via a USB keyboard and mouse.

Optional measurement application software provides preconfigured test routines for 802.16e Mobile WiMax, W-CDMA, HSDPA/HSUPA, GDM/EDGE, cdma2000, 1xEV-DO, TD-SCDMA, LTE, analog demodulation, phase noise and noise figure. Running the Agilent 89601 VSA software application in the EXA enables advanced signal demodulation analysis and troubleshooting of more than 50 demodulation formats including: 2G, 3G, 3.5G, WiMAX, WLAN and Private Mobile Radio. EXA also supports MathWorks MATLAB.

For more information on this product visit:
www.conres.com/test-equipment/EXA.html

BUY, RENT, LEASE!

Features:

- Up to 300% faster than other economy class analyzers
- Frequency range: 9kHz to 3.6, 7, 13.6 or 26.5GHz
- RBW: 1Hz to 8MHz
- DANL: -146dBm/Hz
- 0.3dB absolute amplitude accuracy
- +13dBm third order intercept (TOI)
- Spectrum analysis, Mobile WiMAX, W-CDMA, HSDPA/HSUPA and phase noise measurement applications
- 89600 VSA Software embedded (Available Option)
- Modern connectivity: LXI-C certified, USB, 100based-T LAN, and GPIB



Extended to 11/28 **15% OFF**

EXTRA INNINGS
MORE CHANCES TO SCORE

- Agilent Spectrum Analyzers
- Agilent Signal Generators
- Agilent USB Power Sensors
- Agilent Handhelds

SCORE ONE TODAY!


CONTINENTAL RESOURCES, INC.

V

Hz

A

°C

© Agilent Technologies, Inc. 2008



Agilent 34970A & 34980A
switch/measure units

More measurements. More data. Less cost.

With up to 560 channels of data logging at a maximum scan rate of 1000 channels/sec, an internal 6 1/2 digit DMM with 22-bit resolution, and 0.03% accuracy, it's no mystery why Agilent's data acquisition systems are among the top selling in the world. The 34970A and 34980A are both at home with either data acquisition or functional test, with a broad selection of plug-in modules.

Now with Agilent Data Logger Pro software, you'll be able to collect data, check limits, perform extensive branching, and view and store the data without authoring the programming yourself. It's an ideal expansion at a significant savings.

FREE Agilent Data Logger Pro software
a \$795 - \$995 value until 15 Oct 2008

Agilent Authorized Distributor



CONTINENTAL RESOURCES, INC.

800-937-4688 Option 2 www.conres.com/test-equipment



Agilent Technologies



**CONTINENTAL
RESOURCES, INC.**

Call for Pricing • 800.937.4688

For more information on this product visit:
www.conres.com/test-equipment/DSO_MSO7000.html

Agilent U2000 Series USB Power Sensor

The Agilent U2000 Series USB power sensors are average, wide dynamic range power sensors that can be used with a PC or any selected Agilent USB-based instrument. With internal zeroing, there is no need to disconnect the sensor or power-off the device-under-test (DUT). The yearly calibration provides measurement stability and accuracy for the entire year and does require a 50MHz reference signal calibration prior to each measurement.

Features:

- Frequency range of 10MHz to 18GHz
- Wide dynamic range of -60 to +20dBm
- Internal zeroing capability to eliminate external calibration
- High measurement speed of up to 250 readings/second
- Display power measurements on a PC or other Agilent's instruments



BUY, RENT, LEASE!

The Agilent U2000 series USB Power Sensors work with Agilent's RF product line, which includes: N9340B, N9330A, N9330B, N9320A, N9310A, EXA, and ESA.

Model#	Frequency Range	Power Range	Measurement Signal Type	Price
U2000A	10MHz to 18GHz	-60dBm (1 nW) to +20dBm (100 mW)	Average power for all signal types, unlimited bandwidth	\$ 3,396
U2001A	10MHz to 6GHz	-60dBm (1 nW) to +20dBm (100 mW)	Average power for all signal types, unlimited bandwidth	\$ 2,603
U2002A	50MHz - 24GHz	-60dBm (1 nW) to +20dBm (100 mW)	Average power for all signal types, unlimited bandwidth	\$ 4,188
U2004A	9kHz to 6GHz	-60dBm (1 nW) to +20dBm (100 mW)	Average power for all signal types, unlimited bandwidth	\$ 2,943

For more information on this product visit:
www.conres.com/test-equipment/u2000.html

Agilent USB Data Acquisition Series Your Choice, Your Way

The Agilent USB data acquisition (DAQ) family gives you the choice and flexibility to create standalone or modular solutions that expand and evolve according to your test requirement needs. Whatever your configurations, setup is easy with high-speed USB 2.0 connectivity; just plug the device into your PC and launch the bundled software.



For more information on this product visit:
www.conres.com/u2300a_series.html

Model #	Channel Count	Max Sampling Rate (kSa/s)	Resolution (bits)	Price
Basic Multifunction DAQ	Analog Input/Output	Analog Input/Output	Analog Input/Output	
U2351A	16SE/8SI / 2	250 / 1000	16 / 16	\$ 1,261
U2352A	16SE/8SI / -	250 / -	16 / -	\$ 1,059
U2353A	16SE/8SI / 2	500 / 1000	16 / 16	\$ 1,576
U2354A	16SE/8SI / -	500 / -	16 / -	\$ 1,471
High Density Multi-functional DAQ	Analog Input/Output	Analog Input/Output	Analog Input/Output	
U2355A	64SE/32DI / 2	250 / 1000	16 / 12	\$ 1,366
U2356A	64SE/32DI / 2	500 / 1000	16 / 12	\$ 1,788
U2331A	64SE/32DI / 2	1000 (multi channels) / 1000 3000 (single channels) / 1000	12/ 12	\$ 2,100

Agilent U2781A – USB Modular Instrument Chassis

The U2781A USB modular instrument chassis is AC powered and compact at 250mm (W) x 177mm (H) x 271mm (D). It has an external 10 MHz reference clock, external trigger in and trigger out functions. With the ability to house up to six Agilent U2300A Series USB modular multifunction data acquisition devices, the U2781A allows an expansion of up to 384 channels, making it flexible for users to adapt to a wide variety of measurement needs in instrument configuration.



Features:

- High-speed USB 2.0 (480Mbit/s)
- Hot-swappable and auto-detectable characteristic minimizes startup time/effort
- Allows expansion up to 384 channels
- Mountable to rack with an optional rackmount kit
- Simultaneous synchronization between modules
SSI/Star trigger bus synchronization between external trigger source and modules

BUY, RENT, LEASE!

For more information on this product visit:
www.conres.com/u2781a.html

Model	Description	Price
U2781A	USB Card Cage	\$ 1,186

Agilent UI240A Series Handheld Digital Multimeters

The Agilent UI240A Series handheld digital multimeters enable you to check more with wide measurement ranges. They feature true RMS readings on its 10,000 counts display. The adjustable backlighting allows you to complete your jobs even in subdued lighting conditions, at the same time prolonging the battery life. Your maintenance tasks are greatly simplified with its built-in switch counter, harmonic ratio, dual temperature and differential temperature capabilities, with just a press of the button. The meters have high safety ratings with CAT III 1000 V protection and certified to CE, CSA and UL standards. Better yet, the UI240A Series comes with certificate of calibration and test report – at no extra cost.



Check more, fix more

- 10,000 count display
- 0.09% basic DCV accuracy
- True RMS AC measurement
- Basic functions - ACV, DCV, ACI, DCI, resistance, frequency, diode, continuity test
- Advanced functions - Capacitance, temperature, MINMAX recording

Ease of use

- Adjustable backlighting - 2 intensity levels
- Manual data logging (U1242A only)
- Built-in switch counter, harmonic ratio (U1242A only), dual/differential temperatures capabilities (U1242A only)

Built to last

- Overmold body casing
- CAT III 1000V safety protection
- Certified to CE, UL, CSA standards
- Operating temperature: -10°C to 55°C

Model Number	Description	Price
U1241A	Handheld Digital Multimeter, 4 Digit	\$ 200
U1242A	Handheld Digital Multimeter, 4 Digit	\$ 220

For more information on this product visit:
www.conres.com/test-equipment/u1240a.html



Agilent Handheld UI250A Series DMM

Models Available: U1251A, U1252A

The new Agilent U1250A series includes a 4.5 digit resolution, dual display for quick troubleshooting, validation and unlimited data - logging via PC interface which can detect hard - to - find intermittent problems.

The U1251A offers superior measurement performance, capability and charging convenience. Agilent HandHeld Digital Multimeters offer more functionality and better measurement specifications than comparably - priced competitive offerings.

The Agilent U1252A is a 4½ digit dual display handheld multimeter featuring accuracy up to 0.025%, true RMS, temperature, capacitance and frequency measurements on top of data - logging, frequency counter, square wave generator and PC connectivity capability.



Features:

- 50,000 display resolution
- Unlimited data logging via PC interface
- 20MHz frequency counter
- Programmable square wave generator
- Rechargeable 9V battery with U1252A
- \$150 in extras included

BUY, RENT, LEASE!

Model #	Description	Price
U1251A	Enhanced Dual Display Handheld DMM	\$ 399
U1252A	Enhanced Dual Display Handheld DMM	\$ 429

Optional Additions

Model #	Description	Price
U1161A	USB Host Option	\$ 42
U1173A	Infrared to USB Cable	\$ 30
U1180A	Temperature Accessory Kit	\$ 35

Agilent Digital Multimeters

The Agilent 34410A and 34411A digital multimeters are setting a new standard – with a 6 ½ digit dual display and waveform capture, the digital multimeters continue to deliver dependable results with convenient features that minimize your test and troubleshooting times. From the industry-standard 34401A, to the low-cost 34405A DMM, to the newest state-of-the-art 34410A and 34411A DMM.



BUY, RENT, LEASE!

	34401A	34405A	34410A	34411A
Type	Digital Multimeter, 6½ digit	Digital Multimeter, 5½ digit with dual display	Next generation high performance digital multimeter, 6½ digit with dual display	Next generation high speed digital multimeter, 6½ digit w/ waveform capture
Basic Measurement	DC & AC voltage, DC & AC current, 2 & 4 wire Ω, frequency & period	DC & AC voltage, DC & AC current, 2 wire Ω, frequency	DC & AC voltage, DC & AC current, 2 & 4 wire Ω, frequency, period, 10,000 readings/sec	DC & AC voltage, DC & AC current, 2 & 4 wire Ω, frequency, period, 50,000readings/sec, analog level trigger
Additional Measurements	Continuity, diode test	Continuity, diode test, capacitance, temperature	Continuity, diode test, capacitance, temperature	Continuity, diode test, capacitance, temperature
Connectivity	IntuiLink software with built-in GPIB and RS-232	USB 2.0	LAN, USB 2.0, and GPIB standard, Web browser interface, IntuiLink software	LAN, USB 2.0, and GPIB standard, Web browser interface, IntuiLink software
Price	\$ 1,070	\$ 749	\$ 1,295	\$ 2,003

Agilent 34970A Data Acquisition/Switch Unit

The Agilent 34970A Data Acquisition Control Unit is a compact, economical, one-box solution for data logging, data acquisition, and general-purpose switching and control applications. It consists of a three-slot mainframe with a built-in 6½ digit DMM. Each channel can be configured independently to measure one of 11 different functions without the added cost or hassles of signal-conditioning accessories.



Prices Starting at
\$1,558

Model #	Description	Speed (Ch/Sec)	Max. Voltage	Max. Current	Price
34901A	20 ch. multiplexer (2/4-wire)	60	300V	1A	\$ 480
34902A	16 ch. multiplexer (2/4-wire)	250	300V	50mA	\$ 566
34903A	20 ch. actuator/GP switch	120	300V	1A	\$ 414
34904A	4x8 matrix	120	300V	1A	\$ 469
34905A	Dual 4 Channel 50ohm RF Multiplexer Module for the 34970A	60	42V	0.7A	\$ 756
34906A	2GHz dual 1:4 RF mux, 75ohm	60	42V	0.7A	\$ 756
34907A	Two 8 bit digital I/O ports	N/A	42V	400mA	\$ 359
	26 bit, 100kHz event counter		42V	10mA	
	Two 16 bit analog outputs		+/-12V		
34908A	40 ch. single-ended multiplexer	60	300V	1A	\$ 480

Agilent Function/Arbitrary Waveform Generators

The Agilent 33220A and 33250A function/arbitrary waveform generators give you 10 standard waveforms and the ability to create versatile arbitrary waveforms, with 12-bit or 14 bit resolution and a sample rate of 50MSa/s (33220A), or 200 MSa/s (33250A). In addition, the 33220A and 33250A can generate pulse waveforms with variable edge time.

IntuiLink Waveform Editor for the 33220A and 33250A is an easy to use program that provides add-ins for additional arbitrary waveform features as well as for inputting data from a wide variety of Agilent Oscilloscopes including the 5000 series, 6000 series, 7000 series, Infiniium and the 548XX Infiniium series.



Prices Starting at \$1,180

	33220A	33250A
Frequency range (sine, square)	20MHz	80MHz
Standard waveforms	Sine, square, pulse, triangle, ramp, noise, sin(x)/x, exponential rise and fall, cardiac, dc volts	Sine, square, pulse, triangle, ramp, noise, sin(x)/x, exponential rise and fall, cardiac, dc volts
Arbitrary waveforms	1 to 64k points	1 to 64k points
Sample rate	50MSa/s	200MSa/s
Modulation	AM, FM, PM, FSK, PWM, sweep and burst (all internal/external)	AM, FM, FSK, sweep and burst
AM, FM, FSK, sweep and burst	Linear or logarithmic; up or down	Linear or logarithmic; up or down
Burst	Gated, N-cycle	Gated, N-cycle
External clock reference	Optional External lock range: 10MHz ± 500Hz	Standard External lock range: 10MHz ± 35kHz
Connectivity (Standard Intui-Link Software included)	GPIO, USB, LAN	GPIO/RS-232

Model	Description	Price
33220A	Function/Arb Generator, 20MHz	\$ 1,860
33250A	Function/Arb Generator, 80MHz	\$ 4,571

Agilent E363x Series Programmable DC Power Supplies

Agilent's affordable DC power supplies deliver quiet, stable power for both manual and automated tests in R&D and manufacturing environments.



- Programmable E363x supplies with 1, 2, or 3 outputs and power up to 200W
- Affordable E363x series manual supplies for everyday benchtop use
- Programmable E364x supplies with 1 or 2 outputs and power to 100W
- 80 to 200W output
- Standard GPIB and RS-232 connectivity
- Triple-output model for more power options

	E3631A	E3632A	E3633A	E3634A
GPIB	Yes	Yes	Yes	Yes
# Outputs	3	1	1	1
# Ranges	1	2	2	2
DC Outputs	25V, 1A, -25V, 1A, 6V, 5A	15V, 7A, 30V, 4A	8V, 20A, 20V, 10A	25V, 7A, 50V, 4A
Ripple and Noise	<350 μ V _{rm}	<2m V _{pp}	<350 μ V _{rms} , <3m V _{pp}	<500 μ V _{rms} , <3m V _{pp}
Power	80W	120W	200W	200W
Price	\$ 1,266	\$ 1,107	\$ 1,338	\$ 1,338

Agilent U8000 Series Low-cost Power Supplies

The Agilent U8000 Series offers 90W to 150W single output, non-programmable DC power supplies that include features typically found only in costly programmable supplies. The U8000 Series delivers excellent value by providing reliable DC power, efficient setup capabilities, and important security features that let you address a variety of applications in electronics manufacturing and educational settings



- Excellent load and line regulation: (CV: <0.01% +2mV; CC: <0.02% + 2mA)
- Low output noise: 1 mV_{rms} (20Hz to 20MHz)
- Over Voltage and Over Current Protection
- LCD display with backlight capability
- Standby output for safety purposes
- Save-and-recall function up to three memory states
- Security features: keypad lock and physical lock mechanism

Model	Description	Price
U8001A	DC power supply, low-cost. 30V/3A, 90W	\$ 295
U8002A	DC power supply, low-cost. 30V/3A, 90W	\$ 370

New Equipment



Agilent N5700 Series System DC Power Supplies



Save valuable rack space with these compact, high-power, single-output power supplies

- 24 affordable models in a compact, 1U package to save you rack space
- Multiple I/O interfaces standard — LAN, USB and GPIB — to simplify test-system development
- Easy front-panel operation

**Price from \$2,386 (750W)
and from \$2,827 (1500W)**

BUY, RENT, LEASE!

Model #	Description	Model #	Description
750W Models		1500W Models	
N5741A	6V, 100A, 600W	N5761A	6V, 180A, 1080W
N5742A	8V, 90A, 720W	N5762A	8V, 165A, 1320W
N5743A	12.5V, 60A, 750W	N5763A	12.5V, 120A, 1500W
N5744A	20V, 38A, 760W	N5764A	20V, 76A, 1520W
N5745A	30V, 25A, 750W	N5765A	30V, 50A, 1500W
N5746A	40V, 19A, 760W	N5766A	40V, 38A, 1520W
N5747A	60V, 12.5A, 750W	N5767A	60V, 25A, 1500W
N5748A	80V, 9.5A, 760W	N5768A	80V, 19A, 1520W
N5749A	100V, 7.5A, 750W	N5769A	100V, 15A, 1500W
N5750A	150V, 5A, 750W	N5770A	150V, 10A, 1500W
N5751A	300V, 2.5A, 750W	N5771A	300V, 5A, 1500W
N5752A	600V, 1.3A, 780W	N5772A	600V, 2.6A, 1560W

Agilent N6700 Low-Profile Modular Power System



Squeeze 4 DC power supplies in 1U of rack space with this fast and flexible modular power system

- Multiple-output power supply system lets you mix and match from 20 different 50W, 100W, or 300W DC power modules
- Multiple interfaces standard - LAN, USB and GPIB - to simplify test system development
- Improve your throughput with fast settling times and fast command processing (<1ms)

**Price from \$480 (50W),
from \$885 (100W)
and from \$1,321 (300W)**

Model #	Description	Model #	Description	Model #	Description
50W Models		100W Models		300W Models	
N6731B	5V, 10A	N6741B	5V, 20A	N6773A	20V, 15A
N6732B	8V, 6.25A	N6742B	8V, 12.5A	N6774A	35V, 8.5A
N6733B	20V, 2.5A	N6743B	20V, 5A	N6775A	60V, 5A
N6734B	35V, 1.5A	N6744B	35V, 3A	N6776A	100V, 3A
N6735B	60V, 0.8A	N6745B	60V, 1.6A	----	----
N6736B	100V, 0.5A	N6746B	100V, 1A	----	----
N6751A HiPerform	50V, 5A	N6752A HiPerform	50V, 10A	----	----
N6761A Precision	50V, 1.5A	N6762A Precision	50V, 3A	----	----

See the bigger picture...

with feature-rich tools for debugging mixed signal designs.



Meet the latest edition to the family -
The NEW Tektronix DPO3000 Series.



MSO4000 Series Mixed Signal Oscilloscopes Performance Specifications

Models	MSO4032, MSO4034, MSO4036, MSO4038
Bandwidth	1 GHz, 500 MHz, 250 MHz models
Channels	2 or 4 analog and 16 digital
Record Length	10 M points on all analog and digital channels
Sample Rate	Up to 5 GS/s (analog), up to 10.5 GS/s (digital)
Display	10.4 in. (264 mm) VGA
Serial Bus Trigger and Decode	IC, SPI, RS-232C/422/485/JTAG, CAN, LIN, FlexRay

DPO4000 Series Oscilloscopes Performance Specifications

Models	DPO4104, DPO4054, DPO4034
Bandwidth	1 GHz, 500 MHz, 350 MHz models
Channels	4 analog
Record Length	10 M points on all channels
Sample Rate	Up to 5 GS/s on all channels
Display	10.4 in. (264 mm) VGA
Serial Bus Trigger and Decode	IC, SPI, RS-232C/422/485/JTAG, CAN, LIN, FlexRay

NEW! DPO3000 Series Oscilloscopes Performance Specifications

Models	DPO3054, DPO3052, DPO3034, DPO3032, DPO3014, DPO3012
Bandwidth	500 MHz, 300 MHz, 100 MHz models
Channels	2 or 4 analog
Record Length	5 M points on all channels
Sample Rate	2.5 GS/s on all channels
Display	9 in. (229 mm) WGA widescreen
Serial Bus Trigger and Decode	IC, SPI, RS-232C/422/485/JTAG, CAN, LIN



See more.

Try the virtual product demo at:
www.tektronix.com/bigpicture

See more and solve faster with Tektronix DPO and MSO Series oscilloscopes. This feature-rich family of oscilloscopes, with bandwidths up to 1 GHz, have the power and functionality to help make your work easier. With Wave Inspector™ you can easily search and navigate through uncompromised long records; and large, high-resolution displays let you clearly see all on-screen data and catch glitches you might otherwise have missed. Combine this with integrated serial trigger, decode and search, and you will be debugging mixed signal designs faster and easier than ever before.



© 2008 Tektronix, Inc. All rights reserved. Tektronix products are covered by U.S. and foreign patents, issued and pending. TEKTRONIX and the Tektronix logo are registered trademarks and Wave Inspector is a trademark of Tektronix, Inc.

Call for Pricing • 800.937.4688

For more information on this product visit:
www.conres.com/test-equipment/DSO_MSO7000.html

www.conres.com/test-equipment/tmcatalog

R&S® FSL3, FSL6, and New FSL18 Spectrum Analyzers

The R&S® FSL is a lightweight compact spectrum analyzer ideal for a large number of applications in development, production, and service. It's the only instrument in its class that features a tracking generator up to 6GHz and can demodulate I/Q signals with a bandwidth up to 20MHz.

This instrument has excellent documentation and networking capabilities with a Windows XP Embedded Operating System, a standard LAN interface and a standard USB 1.1 host interface.



- Frequency range 9kHz to 3, 6, or 18GHz
- I/Q demodulation bandwidth 20MHz
- DANL-152dBm (1 Hz)
- Total measurement uncertainty <0.5dB
- Low weight- under 8kg/18lbs
- Internal battery option with 1h operating time
- Extensive measurement routines such as TOI, OBW, channel/adjacent channel power

BUY, RENT, LEASE!

For more information on this product visit:
www.conres.com/FSL_RS.htm

Additional Options

FSL 3	Frequency range 9kHz to 3GHz	\$ 10,090
FSL 6	Frequency range 9kHz to 6GHz	\$ 13,750
FSL 18	Frequency range 9kHz to 18GHz	\$ 24,830
FSL 3.03	Spectrum Analyzer 9kHz-3GHz	\$ 10,090
FSL 3.13	Spectrum Analyzer 9kHz-3GHz, including tracking generator	\$ 12,680
FSL6.06	Spectrum Analyzer 9kHz-6GHz	\$ 13,750
FSL 6.16	Spectrum Analyzer 9kHz-6GHz, including tracking generator	\$ 18,040
FSL 18	Spectrum Analyzer 9kHz-18GHz, I/Q Demodulation Bandwidth 28MHz	\$ 24,830
FSL-B4	OCXO, 1×10^{-7}	\$ 1,150
FSL-B5	Additional Interfaces (Video Out, Noise Source Control, AUX Ports, Power Sensor)	\$ 480
FSL-B6	TV Trigger	\$ 480
FSL-B7	Narrow RBW, 10Hz to 300Hz	\$ 330
FSL-B10	GPIB Interface	\$ 680
FSL-B22	RF Preamp	\$ 1,280
FSL-B30	DC Input, 12 to 28V	\$ 680
FSL-B31	NiMH Battery Pack (Requires FSL-B30)	\$ 1,130
FSL-K7	AM/FM Demodulator	\$ 2,090
FSL-K9	Power Measurements (Requires FSL-B5)	\$ 680
FSL-K20	Cable TV Measurements	\$ 2,630
FSL-K91	WLAN TX Measurements	\$ 8,310
FSL-K92	WIMAX OFDM	\$ 6,640
FSL-K93	WIMAX OFDMA	\$ 9,580
FSL-Z3	Soft Carrying Bag	\$ 460



R&S® FSH3, FSH6 and New FSH18 Handheld Spectrum Analyzers

The R&S® FSH is the ideal spectrum analyzer for rapid, high-precision, cost-effective signal investigations. It provides a large number of measurement functions and can handle anything from the installation or maintenance of a mobile radio base station to on-site fault location in RF cables as well as development and service – an extensive range of applications.

The R&S FSH is available as 3GHz, 6GHz and 18GHz models. The R&S FSH3 and FSH6 have the option to come with or without an internal tracking generator. When the tracking generator is included, the R&S FSH can be used for distance-to-fault (DTF) measurements, scalar and vector network analysis and one-port cable loss measurement.

The R&S FSH18 is the newest addition to the FSH family of handheld spectrum analyzers. Its frequency range is perfect for field applications including testing of microwave signals, field strength measurements and signal monitoring. The R&S FSH18 comes in the same size and weight as the FSH3 and FSH6 handheld spectrum analyzers.

BUY, RENT, LEASE!

- Frequency range 100kHz to 18GHz
- Displayed average noise level typical -128dBm (RBW 100Hz, 3GHz to 6GHz)
- Level accuracy of 1.5dB (20MHz to 6GHz)
- Best in class functionality
- Easy menu-based operation
- Over 3 hours of battery life
- Color display and sunlight mode for enhanced visibility
- High measurement accuracy

	FSH3	FSH6	FSH18
Frequency Range	100kHz to 3GHz	100kHz to 6GHz	9kHz to 3/6/18GHz
Resolution Bandwidths	1kHz to 1MHz (model .13) 100Hz to 1MHz (models .03 and .23)	100Hz to 1MHz	100Hz to 1MHz
Video Bandwidth	10Hz to 1MHz	10Hz to 1MHz	10Hz to 1MHz
Displayed average noise level	typ.-114dBm (1KHz) (model .13) typ.-135dBm (100Hz) (mdls .03 & .23)	typ. -135dBm (100Hz)	typ -128dBm (100Hz)
TOI	typ. 13dBm	typ. 13dBm	typ. 13dBm
SSB phase noise	100µs to 100s	100µs to 100s	100µs to 100s
Detectors	Sample, max/min peak, auto peak, RMS	Sample, max/min peak, auto peak, RMS	Sample, max/min peak, auto peak, RMS
Level Uncertainty	<1.5dB, typ. 0.5dB	<1.5dB, typ. 0.5dB	<1.5dB, typ. 0.5dB
Reference Level	-80dBm to +20dBm	-80dBm to +20dBm	-80dBm to +20dBm

Model #	Description	Price
FSH303	Handheld Spectrum Analyzer 100kHz to 3GHz, including pre amp	\$ 8,200
FSH313	Handheld Spectrum Analyzer 100kHz to 3GHz, including tracking generator	\$ 10,550
FSH323	Handheld Spectrum Analyzer 100kHz to 3GHz, including pre amp and tracking generator	\$ 12,760
FSH606	Handheld Spectrum Analyzer 100kHz to 6GHz including pre amp	\$ 13,070
FSH626	Handheld Spectrum Analyzer 10MHz to 6GHz including tracking generator and pre amp	\$ 16,470
FSH18	Handheld Spectrum Analyzer 10MHz to 18GHz, including pre amp	\$ 19,060

Additional Options		
FSH-Z1	Power Sensor, 10MHz to 8GHz	\$ 2,830
FSH-Z18	Power Sensor, 10MHz to 18GHz	\$ 4,310

R&S® FSH Handheld Spectrum Analyzers Continued...

Model #	Description	Price
FSH-B1	DTF Measurement for FSH313/FSH323/FSH626, FSH-Z2 required	\$ 1,260
FSH-K1	Remote Control for Handheld Spectrum Analyzer FSH series via RS-232	\$ 400
FSH-K2	Vector Reflection and Transmission Measurement for FSH313/323/FSH626	\$ 950
FSH-K3	Receiver mode for FSH	\$ 1,070
FSH-Z1	Power Sensor for FSH3, 10MHz to 8GHz, 200pW to 200mW	\$ 2,830
FSH-Z2	VSWR Bridge and Power Divider, 10MHz to 3GHz, for FSH, inkl. Cal. Standards	\$ 2,810
FSH-Z18	Power Sensor for FSH3, 10MHz to 18GHz, 200pW to 200mW	\$ 4,310
FSH-Z21	12V Car Adapter for Cigarette Lighter Socket	\$ 180
FSH-Z22	Serial Parallel Converter for connection of printers with parallel interface	\$ 310
FSH-Z25	Soft Carrying Bag for FSH	\$ 240
FSH-Z26	Hardcase for FSH	\$ 950
FSH-Z29	Spare Load/Open/Short, Calibration Standard to FSH, N-connector	\$ 820
FSH-Z44	Directional Power Sensor; 200MHz to 4GHz; 30mW to 120 (300)W	\$ 3,190
RAZ	Matching Pad 50/75ohm, 0-2700MHz, Matching at one End, N-connectors	\$ 860

EXCLUSIVE! R&S® ZVL3&6 Vector Network Analyzer

The R&S® ZVL is a compact, powerful, and future-proof network analyzer, and is therefore ideal for use in development, production, and service. It is the only instrument to combine the functions of a network analyzer, spectrum analyzer, and power meter in a single box, and will thus tremendously increase your work efficiency. The R&S ZVL is ideal for lab applications where the measurement tasks vary frequently; it can be used to measure S-parameters as well as the output spectrum, ACP, and TOI without having to reconnect the device under test (DUT).



BUY, RENT, LEASE!

Features:

- Network and spectrum analysis in a single instrument
- Bidirectional test set for displaying all four S-parameters
- Multitrace display for displaying all relevant parameters
- Operation with mouse or hardkeys/softkeys – convenient user interface with wizards and context menus
- Online help – context-sensitive with remote-control commands
- Undo/Redo softkey for reversing up to six preceding operating steps
- USB connector for R&S NRP power sensor for precise power measurements
- Small and compact – 37 cm instrument depth suitable for every workbench
- Lightweight and portable with a weight <7kg

Model #	Price
ZVL 3	\$ 19,900
ZVL 6	\$ 26,450

R&S® ZVL3&6 Vector Network Analyzer Additional Options

Model #	Description	Price
ZVL-K1	Spectrum Analysis (adds full FSL functionality)	\$ 7,100
ZVL-K2	Distance to Fault Measurement	\$ 1,980
ZV-Z91	Test Cable, N(m)/N(m), 38 inch, high precision	\$ 1,450
ZV-Z191	Test Cable, n(m)/N(m), 24 inch, phase stable	\$ 890
ZV-121	Calibration fir N-type, 500Hm, Male, Open, Short, Match Through 0Hz to GHz	\$ 1,100
FSL-B4*	OCXO, 1x10 ⁻⁷	\$ 1,150
FSL-B5*	Additional Interfaces	\$ 480
FSL-B10*	GPIB Interface	\$ 680
FSL-B22*	RF Preamplifier, Gain 20dB	\$ 1,280
FSL-B30*	DC Input, 12 to 28V	\$ 680
FSL-B31*	NiMH Battery Pack (Requires FSL-B30)	\$ 1,130
FSL-K9*	Power Measurement with NRP-Z Sensors	\$ 680
NRP-Z11	Average Power Sensor 10MHz to 8GHz	\$ 3,080

*Requires the ZV-K1 to use this option.

For more information on this product visit:
www.conres.com/test-equipment/zvl.html

EXCLUSIVE!

R&S® SMA100A Signal Generator

The R&S® SMA100A combines superior signal quality with very high setting speed, which makes it ideal for any task. Whether in development, production, service or maintenance, the R&S SMA100A does an excellent job.



BUY, RENT, LEASE!

In the frequency range from 9kHz to 3 or 6GHz, it can generate CW signals as well as all common types of analog modulation (AM, FM, φM, pulse modulation). Excellent specifications and a wide range of modulation signals – these are the characteristic features of the R&S SMA100A. In addition, a low-jitter clock synthesizer option supplies differential clock signals of up to 1.5GHz independently of the RF frequency.

Model #	Description	Price
SMA100A	Signal Generator Base Unit, Requires Frequency Unit	\$ 3,260
SMA-B103	Frequency range 9kHz to 3GHz with electronic attenuator (factory fit)	\$ 15,470
SMA-B103L	Frequency range 9kHz to 3GHz without attenuator	\$ 13,520
SMA-B106	Frequency range 9kHz to 6GHz with electronic attenuator (factory fit)	\$ 20,670
SMA-B106L	Frequency range 9 kHz to 6 GHz without attenuator	\$ 18,710
SMA-B20	FM/PHIM modulator, SMA-B10x required	\$ 1,960
SMA-B22	Enhanced phase noise performance and FM/PHIM modulator	\$ 7,810
SMA-B29	Clock synthesizer	\$ 4,950
SMA-B46	Power supply for operating altitude up to 4600m	\$ 470
SMA-B80	Removable memory	\$ 1,650
SMA-B81	Rear panel connectors	\$ 410
SMA-K23	High performance Pulse generator	\$ 1,630
SMA-K24	Multi Generator	\$ 1,960
SMA-K25	VOR/ILS	\$ 2,290
SMA-Z20	Assembly Rack Mount Kit	\$ 170

For more information on this product visit:
www.conres.com/test-equipment/ROHSMA100A.htm

R&S® SMB100A RF Signal Generator

The New R&S® SMB100A is designed to set a new standard in the mid-range. It incorporates the good performance of its predecessor, the SML, while adding new features and putting it in a compact housing. One of the biggest improvements is the extended frequency range up to 6 GHz. The new instrument also covers the important bands between 3 and 6 GHz which are used by e.g. WiMAX, WLAN but also pulsed applications can be often found in this range. With the SMB100A, we will also introduce a new service concept allowing customers to decide if they want to perform it on their own or use certified R&S service sites.



Model #	Description	Price
SMB100A	Analog signal generator	\$ 1,810
SMB-B101	RF output 9kHz to 1.1GHz	\$ 4,740
SMB-B102	RF output 9kHz to 2.2GHz	\$ 5,980
SMB-B103	RF output 9kHz to 3.2GHz	\$ 6,600
SMB-B106	RF output 9kHz to 6GHz	\$ 13,910
SMB-B1	OCXO reference oscillator	\$ 1,340
SMB-B5	Stereo/RDS-Coder	\$ 4,900
SMB-K22	Pulse Modulator	\$ 830
SMB-K23	Pulse Generator	\$ 620

R&S® SMV03 Vector Signal Generator

The Vector Signal Generator R&S® SMV03 is based on the successful analog Signal Generator SML03 and features the same excellent technical characteristics. It comprises an additional broadband I/Q modulator which is able to generate any digital signal in conjunction with an external I/Q source. The SMV03 is a way of entering the wide field of automatic test systems while gaining access to applications like R&D and service. When used together with the AMIQ and WinIQSIM™, the SMV03 can generate digital signals that meet any requirement.

BUY, RENT, LEASE!



- Frequency range 9kHz to 3.3GHz
- I/Q modulator (100MHz RF bandwidth) with excellent vector accuracy (f >500MHz to 3GHz)
- SSB phase noise -128dBc (1Hz)
- Setting times <10ms
- High level accuracy <0.5dB
- High reliability through electronic attenuator
- Digital frequency and level sweep
- Opt. pulse modulator w/ integrated pulse generator
- 3-year calibration cycle

Model #	Description	Price
SMV03	9kHz to 3.3GHz Vector	\$ 16,360
SML-B5	Stereo/RDS-Coder (Factory Install Only)	\$ 4,430
ZZA-211	19 inch Rack Adaptor 2HU, 1/1 for BW200 Cabinets	\$ 180



ROHDE & SCHWARZ

EXCLUSIVE!

R&S® CBT Bluetooth Testers

The R&S® CBT Bluetooth Testers offer a large number of statistical monitoring and measurement functions. It is possible, for instance, to define individual tolerances for each measured value and to stop a measurement sequence after a certain number of measurements or when a tolerance has been exceeded.

Features:

- Bluetooth RF tests on all channels
- Full dirty transmitter for BER tests
- Speech codec integrated
- Cost-effective rack version R&S CBT 32 for production applications
- Very short cycle time for high production throughput

For more information on this product visit:
www.conres.com/test-equipment/CBT.html

New Equipment



BUY, RENT, LEASE!

Prices starting at:
\$31,290 (CBT)
\$22,460 (CBT 32)

R&S® FS300/FS315 Spectrum Analyzer

The R&S®FS300 is a highly accurate spectrum analyzer. Owing to its modern, digital frequency processing technique, it offers high measurement quality at a favorable price. Whether on the lab bench, in service, or as a flexible measuring instrument in automatic production systems, the range of applications is almost unlimited.

The R&SFS300 is the first instrument of a new family of analyzers and generators for development, service, and production. It has a compact design, powerful processor system, fast internal bus, and ergonomic user interface.

The new Spectrum Analyzer R&S FS315, includes a tracking generator and thus expands the field of application to scalar transmission and reflection measurements.

A special feature of the tracking generator is the user-selectable frequency offset in the range from 0Hz to 3GHz, which makes it possible to perform measurements on frequency-converting DUTs such as a frequency mixer. For simple applications, the tracking generator can also be used as a CW signal source with a permanently set frequency.

- Frequency Range 9kHz to 3GHz
- Resolution Bandwidths 200Hz to 1MHz (1, 2, 3, 5 sequences)
- Video Bandwidths 10Hz to 1MHz (1, 2, 3, 5 sequences)
- Displayed Average Noise Level <-110dBm, typ. -120dBm (300Hz)
- Intermodulation-free Range <-70dBc at -30dBm input level
- SSB Phase Noise, 10kHz offset <-90dBc (1Hz)
- Markers normal, delta, noise markers
- Level Uncertainty <1.5dB



Model #	Description	Price
FS300	9kHz to 3GHz, bandwidth 200Hz to 1MHz, color TFT	\$ 7,210
FS315	9kHz to 3GHz, bandwidth 200Hz to 1MHz, color TFT, includes tracking generator	\$ 9,540

Optional Additions

Model #	Description	Price
FS300-DCV	Calibration Documentation	\$ 160
ZZA-300	Rack Adapter for Spectrum Analyzer	\$ 310

For more information on this product visit:
www.conres.com/test-equipment/rs_fs300.htm

R&S® NRP Power Meter and NRP-Z Power Sensors

The RF and microwave Power Meter R&S® NRP is ideal for daily use in R&D, production, mobile service, or when analyzing broadband modulation signals of third generation mobile radio. The versatility of the novel R&S NRP power meter series is primarily due to the newly developed sensors in R&S Smart Sensor Technology™. These sensors are intelligent stand alone instruments that communicate with the basic unit or a PC via a digital interface.

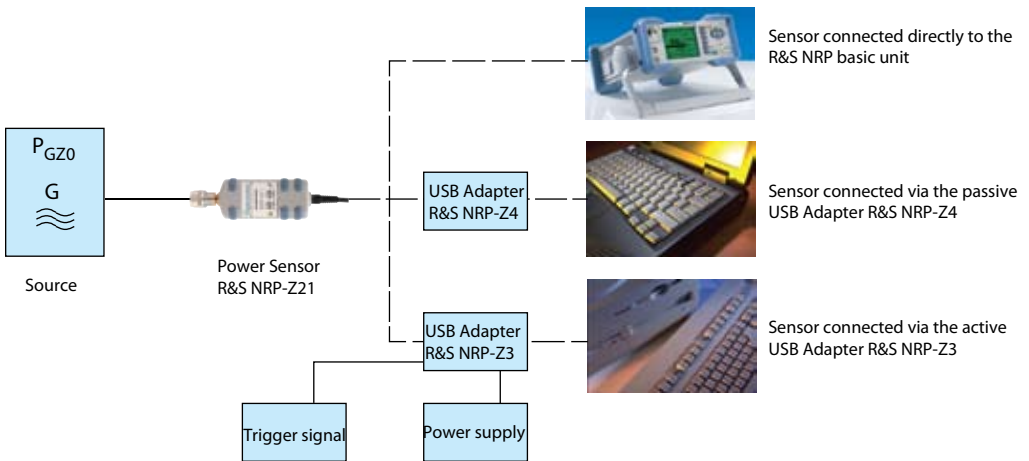
The R&S Smart Sensor Technology™, now implemented for the first time, sets new standards in terms of universality and accuracy. The R&S NRP basic unit offers exactly what you expect for today's needs: compact size, intuitive user interface and multi-channel capability.



BUY, RENT, LEASE!

- 1, 2 or 4 channels
- Absolute in W, dBm and dB
- Simultaneous measurement of up to 4 channels can be displayed (for all functions except Scope)
- Ratio in dB, as change in %, as quotient or as matching parameter: SWR, return loss, reflection coefficient
- Relative ratio in dB, as change in % or as quotient
- LC graphics screen 1/4 VGA (320x240) pixel, monochrome, transfective
- Digital, digital and analog
- Windows-oriented menus with hotkeys for the most important functions

- Innovative multipath sensor technology
- 90dB dynamic range
- High measurement speed
- Intelligent sensors – simply plug in and measure
- Accurate measurement of average power regardless of bandwidth and modulation
- Multislot measurements for common time division systems (e.g. GSM/EDGE, DECT)
- Simultaneous operation of up to 4 sensors on basic unit
- Operation of sensor directly from PC via USB interface
- 2 year calibration cycle



Don't see the product you're looking for?
Visit our website at www.conres.com/test-equipment
or call us at 800.937.4688 to find out if the equipment
you need is in stock!

**R&S® NRP Power Meter and NRP-Z Power Sensors Continued...**

Model #	Description	Price
NRP	Power Meter Display and Control Unit AC Supply, IEEE BU	\$ 4,020
NRP-B1	Sensor Check Source	\$ 540
NRP-B2	Second Sensor Input (B) (Factory-fitted)	\$ 2,830
NRP-B3	Battery Supply	\$ 830
NRP-B4	Ethernet LAN Interface 10/100 Base-T	\$ 670
NRP-B5	3rd and 4th Sensor Input (C,D)	\$ 2,020
NRP-B6	Rear-panel Sensor Inputs A & B	\$ 80
NRP-Z2.10	Sensor extension cable to 5m	\$ 210
NRP-Z2.10	Sensor extension cable to 10m	\$ 320
NRP-Z3	USB Adapter (active)	\$ 1,050
NRP-Z4	USB Adapter (passive)	\$ 290
NRP-Z11	Ave Pwr Sensor 10MHz-8GHz, 200mW	\$ 3,080
NRP-Z21	Ave Pwr Sensor 10MHz-18GHz, 200mW	\$ 3,750
NRP-Z22	Ave Pwr Sensor 10MHz-18GHz, 2W	\$ 3,970
NRP-Z23	Ave Pwr Sensor 10MHz-18GHz, 15W	\$ 4,340
NRP-Z24	Ave Pwr Sensor 10MHz-18GHz, 30W	\$ 4,690
NRP-Z51	Therm Pwr Sensor DC-18GHz, 100mW	\$ 2,560
NRP-Z55	Therm Pwr Sensor DC-40GHz, 100mW	\$ 3,930
NRP-Z81	WideBand Pwr Sensor 50MHz-18GHz, 100mW	\$ 6,170
NRP-Z91	Ave Pwr Sensor 9kHz-6GHz, 200mW	\$ 3,600

R&S® SM300 RF Signal Generator

The R&S® SM300 is a favorably priced signal generator for applications in the 9kHz to 3GHz frequency range. The instrument features a broad scope of functions, outstanding technical characteristics, and compact design. In addition to standard analog modulation modes, external I/Q signals can be fed in for RF signal modulation. Digitally modulated signals can thus be generated, as required in mobile radio, for example.

The R&S SM300 offers an immense range of applications, whether on the lab bench, in service, or as a flexible measuring instrument in automatic production systems.

Product Features

- Frequency Range RF: 9kHz to 3GHz, LF: 20Hz to 80kHz
- Frequency Resolution 0.1Hz
- Level Resolution 0.1dB
- Level Uncertainty <1dB (for levels >-120dBm)
- Level Range -127dBm to 13dBm
- Level and Frequency Setting Time <10ms
- Level and Frequency Setting Time <-95dBm (1 Hz) (at f = 1GHz, Δf = 20kHz)
- Level and Frequency Setting Time 20Hz to 80kHz

**BUY, RENT, LEASE!**

Model #	Description	Price
SM300	9kHz to 3GHz, I/Q-inputs	\$ 8,810
SM300-DCV	Calibration Documentation	\$ 160

R&S® AM300 Dual-Channel Arbitrary/Function Generator

The R&S® AM300 is a dual-channel arbitrary/function generator that offers superb functionality and spectral purity at a favorable price. Due to its high-quality characteristics, the instrument displays digitally generated signals almost distortion-free – even at high output levels and frequencies. The R&S AM300 thus meets reference signal source requirements for a host of applications. With a high sampling rate of up to 100MSa/s, 256k-point waveform memory per channel and the Waveform Composer software, virtually any waveform can be implemented – whether for applications in the lab, in production or service.

The instrument's two channels are phase-coupled thus allowing the generation of analog I/Q signals that can be used, for example, to modulate the RF Signal Generator R&S SM300. The upper frequency limit of 35MHz for sine signals and 50MHz for square signals leaves sufficient room for future tasks.

Product Features

- Standard Functions sine, square, triangle, ramp, pulse, noise, exponential
- Max. Frequency Range 35MHz sine, 50MHz square, 500kHz for triangle, ramp and exponential
- Arbitrary Waveforms 100MSa/s, 16 to 256k points per channel
- Amplitude range 1mV to 10V (V_{pp}), with 14 bit resolution
- Pulse 20ns to 9999s, selectable pulse width; rise time <10ns
- Sweep linear and logarithmic
- Trigger 1 trigger input, 2 sync outputs
- Burst 1 to 65535 periods per burst



BUY, RENT, LEASE!

Model #	Description	Price
AM300	Dual Channel Arbitrary/Function Generator, 100MSa/s	\$ 8,920
AM300-DCV	Calibration Documentation	\$ 160

R&S® UP300/350 Audio Analyzers

The R&S UP300 and R&S UP350 are favorably priced audio analyzers with a frequency range up to 80 kHz that can handle any of today's common applications. The instruments feature a broad scope of functions, good technical characteristics and compact design. The R&S UP300 includes all conventional audio engineering measurements and generates the required test signals. Its analog inputs and outputs are dual-channel in design. The R&S UP350 goes one step further by providing digital audio interfaces and the capability to measure the digital audio protocol and digital sampling rate. These two audio analyzers offer an immense range of applications – whether on the lab bench, in service or as a flexible measuring instrument in automatic production systems.



Model #	Description	Price
UP300	Audio Analyzer, up to 80kHz	\$ 7,970
UP350	Audio Analyzer, up to 80kHz	\$ 9,550

For more information on this product visit:
www.conres.com/test-equipment/rs_up300.htm

Willtek Handheld Spectrum Analyzer

Willtek's new 9102 Handheld Spectrum Analyzer is a multifunction instrument designed for lab and field applications concerning scalar network and spectrum analysis, including cable and antenna measurements and EMC pre-qualification tests.

The 9102 has a frequency range of 100kHz to 4GHz and a resolution bandwidth (RBW) of an exceptional 1kHz. As an extension of the popular 9101 Handheld Spectrum Analyzer, the new 9102 maintains the small size and weight, along with the large, bright display, and easy-to-use menu structure.

BUY, RENT, LEASE!



Model #	Price
9102 Handheld Spectrum Analyzer (Bench Edition)	\$ 7,938
9102 Handheld Spectrum Analyzer (Field Edition)	\$ 8,555
9102 Handheld Spectrum Analyzer (Tracking Edition)	\$ 11,012

**Don't see the product you're looking for?
Visit our website at www.conres.com/test-equipment
or call us at 800.937.4688 to find out if the equipment
you need is in stock!**

Willtek RF Shield

Willtek's 4921 RF Shield is a new RF shielding solution for testing 3G mobile phones, as well as data cards and WLAN equipment in large service centers and production lines. The 4921 is the optimum solution for service centers and manufacturers with high volume phone testing because it can endure the high open/close rates involved. The RF Shield is designed to eliminate interference from any adjacent mobile phones, the local base station, and to isolate the environment from the RF emitted from the phone (or other device under test).



- Exceeds 80dB attenuation requirement for RF shielding
- Reliable, robust design – yet small size and weight make it a portable solution
- Ideal for high-volume testing; guaranteed number of open/close cycles
- Suitable for mobile phones of all sizes; approved by leading phone manufacturers
- Modular conception – A whole concept of shielding and coupling with the Willtek 4916 Antenna Coupler.

Model #	Description	Price
4921 RF Shield	80dB attention requirement for RF shielding	\$ 2,470

Keithley Model 2000 6-½ Digital Multimeters

The Model 2000 6-½-digit Multimeter is part of Keithley's family of high-performance Digital Multimeters (DMM). Based on the same high speed, low noise A/D converter technology as Models 2001 and 2002, Model 2000 is a fast, accurate, and highly stable instrument that's as easy to operate as it is to afford. It combines broad measurement ranges with superior accuracy specifications – DC voltage from 100nV to 1kV (with 0.002% 90 day basic accuracy) and DC resistance from 100microOhms to 100megaOhms (with 0.008% 90 day basic accuracy). Optional switch cards enable multiplexing up to 20 different input signals for multipoint measurement applications.

The Model 2010 7-½-digit Low Noise Multimeter combines high resolution with the high speed and accuracy needed for production applications such as testing precision sensors, transducers, A/D and D/A converters, regulators, references, connectors, switches, and relays. Based on the same high speed, low noise A/D converter technology as the Models 2000, 2001 and 2002, the 2010 is the latest addition to Keithley's Series 2000 line of high performance digital multimeters.



BUY, RENT, LEASE!

Model 2000 6-½	Model 2001 7-½	Model 2002 8-½	Model 2010 7-½
13 built-in measurement functions	True 7½ digit model resolution	True 8½ digit model resolution	7½ digit model resolution
2000 readings/sec at 4½ digits	Exceptional measurement integrity with high speed		100nVrms noise floor
Optional scanner cards for multipoint measurements	Broad range of built-in measurement functions		7ppm basic DCV accuracy
IEEE-488 and RS-232 interface	Built-in 10 channel scanner option		Built-in 10 channel scanner mainframe
Fluke 8840/42 command set	IEEE-488.2 and SCPI compatible	IEEE-488.2 and SCPI compatible	Dry circuit and low power measurement mode
Fluke 8840/42 command set	----	HP emulation mode	15 measurement functions including support for RTD and thermocouple temperature measurements
Fluke 8840/42 command set	----	----	Built in ratio measurement function

Model #	Price
Model 2000 6-½DMM (Plain)	\$ 1,099
Model 2000 6-½ DMM w/20 Ch Scanner Card	\$ 1,995
Model 2000/2000 Scan 6-½ DMM w/10 Ch Scanner Card	\$ 1,549
Model 2001 High Performance 7-½ DMM w/8k memory	\$ 4,149
Model 2001/MEM1 High Performance 7-½ DMM w/32k memory	\$ 4,495
Model 2001/MEM2 High Performance 7-½ DMM w/128k memory	\$ 4,695
Model 2002 High Performance 8-½ DMM w/8k memory	\$ 5,549
Model 2002/MEM1 High Performance 8-½ DMM w/32k memory	\$ 5,895
Model 2010 7-½ Low Noise DMM (Plain)	\$ 6,095
Model 2010 7-½ Low Noise DMM (Plain)	\$ 2,695

Keithley 2700 Series Data Acquisition/Switching Systems

Integra Series systems (2700, 2701, 2750) combine precision measurement, switching and control in a single, tightly integrated enclosure for either rack-mounted or benchtop applications. These cost-effective, high performance test platforms offer affordable alternatives to separate DMMs and switch systems, dataloggers/recorders, plug-in card data acquisition equipment and VXI/PXI systems. The Integra Series plug-in switching and control modules offer unmatched flexibility and testing efficiency for a wide range of industries and applications.



BUY, RENT, LEASE!

Features

- Combines functions of DMM, switch system and datalogger
- True 6½ digit (22 bit) resolution
- Choice of 12 switch/control plug-in modules
- Up to 200 differential input channels (with 300V isolation) for measurement and control
- Convenient front panel inputs
- TestPoint™-based start-up software
- Free LabVIEW™, LabWindows/CVI, Visual Basic, C/C++, and TestPoint drivers (IVI style)
- Ethernet, GPIB, RS-232 communications capabilities
- Optional Excel.INX™-1A datalogging software

Model #	Description	Price
2700	DMM/Precision Data Acquisition System	\$ 1,495
2700/7700	DMM/Precision Data Acquisition System with Model 7700 20 Channel Differential Multiplexer with Automatic CJC with Screw Terminals	\$ 1,870
2701	Ethernet Based Multimeter/Data Acquisition System	\$ 1,795
2750	Multimeter/Switch System	\$ 2,295
2790	SourceMeter Switch System Mainframe	\$ 2,495
2790-A	SourceMeter Switch System with One High Voltage Card and 1 MΩ Range	\$ 5,495
2790-H	SourceMeter Switch System with One High Voltage Card	\$ 4,995
2790-HH	SourceMeter Switch System with Two High Voltage Cards	\$ 7,995
2790-HL	SourceMeter Switch System with One High Voltage Card and One Low Voltage Card	\$ 6,995
2790-L	SourceMeter Switch System with One Low Voltage Card	\$ 3,995

**Don't see the product you're looking for?
Visit our website at www.conres.com/test-equipment
or call us at 800.937.4688 to find out if the equipment
you need is in stock!**

Times Microwave Silverline™ Series RF Test Port Cables

Silverline™ Test Cables are cost effective, durable, high - performance cable assemblies designed for use in a broad range of test and interconnect applications. Features and benefits include phase and lose stable and long flex life.

Coax Test Cables for:

- Replacement for OEM Test Port Cables
- High Volume Production Test Stations
- Research & Development Labs

Call Us Today for a Quote!
800.937.4688



BUY, RENT, LEASE!

SilverLine™ Physical & Mechanical Specifications

Armor (optional)	1200lbs per linear inch, crush resistance
Bend Radius: minimum	1in, 25mm
Connector Retention	Unarmored > 80lbs, Armored > 200lbs
Mating Life Cycle	>5000

Electrical		6 GHz	18 GHz	26.5 GHz
VSWR Max	7-16 DIN	1.25:1	----	----
VSWR Max	SMA 3.5mm, Type N, TNC, QMA	1.20:1	1.30:1	1.35:1 (SMA 3.5mm)
VSWR Max	7 mm	1.25:1	1.35:1	
Phase Stability (ten, 4 inch radius, 180° reverse bends)	DC to 10GHz: +/- 1.1° 10 to 18GHz: +/- 2.0°			

Ordering Information

SLXXX-XXXXXX-XX.XXX

U = Unarmored
A = Armored

Length

Feet: 0.50 ft Increments
Example: -04.50F = 4.50ft

Meters: 0.25 m increments
Example: -00.75M = 0.75m

F= Feet M = Meters

Connector Codes (2 or 3 Characters)

BM = BNC Male
SM = SMA Male
SF = SMA Female
SMR = SMA Right Angle
35M = 3.5mm Male
35F = 3.5mm Female
3RM = 3.5mm Ruggedized Male
3RF = 3.5mm Ruggedized Female
NM = Type N Male
NIT = Type N Male **OneTurn™**
NF = Type N Female
NMR = Type N Right Angle
70M = 7mm
76M = 7-16 DIN Male
76F = 7-16 DIN Female
TM = ETNC Male
TF = ETNC Female
QMM = QMA Male

Frequency Range

04 = 4.0GHz (BNC)
06 = 6.0GHz
18 = 18.0GHz
26 = 26.5GHz (SMA & 3.5mm)

Adaptors

3191-133 = QMA(f)-SMA(m)
3191-134 = QMA(f)-SMA(f)
3191-135 = Type N(m)-QMA(m)
3190-1941 = QMA Extraction Tool

First Connector

Second Connector

Some connector combinations and/or lengths may be unavailable. Please contact Times or your Times Authorized Distributor.

*Specifications subject to change without notice.

**Times Microwave
SilverLine-TuffGrip™ Test Cables**

SilverLine-TG™ (TuffGrip™) Test Cables (patent pending) are designed to address the needs of cellular infrastructure, wireless Internet, and land mobile radio installers and test technicians. They employ a unique, hefty hand grip to help withstand the rigors of field use.

The robust TuffGrip hand grip is installed at the system test end of the cable assembly. It allows the user to apply as much resistance as is necessary to properly torque the system cable connector, while preventing excess torque from being applied to the test cable. A proper connection may now be made quickly with a single wrench.

TuffGrip™ test cables are armored and use super-tough stainless steel captive-contact connectors for long life. Each is 100% RF tested and comes with Times' replacement guarantee.



For Wireless System Testing:

- Antenna & Cable Test
- Troubleshooting
- RF Maintenance
- Field RF Test

Call Us Today for a Quote!
800.937.4688

BUY, RENT, LEASE!

Ordering Information

SLAXX-NMXXX-XX.XXM

<p>06 = 6GHz 18 = 18GHz (NMNFG only)</p>	<p>↓ ↓ ↓ ↓ ↓</p>	<p>Meters</p>
	<p>NM =TYPE N MALE</p>	<p>0.150 = 1.5 M 03.00 = 3.0 M 0.500 = 5.0 M</p>
	<p>NFG = N female TuffGrip™ 7MG = 7-16 male TuffGrip™ 7FG = 7-16 female TuffGrip™</p>	

Times' Silverline - TG™ Replacement Guarantee

Times will repair or replace your SilverLine - TG test cable at its option if the connector attachment fails within four months of shipment. Excludes cable or connector interface damage from misuse or abuse.

GW Instek Digital Multimeters GDM Bench Series

The general measurement function includes DCV, ACV, DCA, ACA, R.

BUY, RENT, LEASE!



GDM-8245 shown

	GDM-8246	GDM-8245	GDM-8145	GDM-8135	GDM-8034
Special Measurement Functions	C, Hz, Diode Test Continuity Beeper REL dBm, Max. Min, Hold Compare, AC+DC True RMS	C, Hz, Diode Test Continuity Beeper, Max. Min, Relative Hold, AC+DC True RMS	Diode Test, AC or AC+DC True RMS	Diode Test, Continuity Beeper	C, Diode Test Continuity Beeper
Display	50000 Counts Dual LED Display		4.5 LED	3.5 LED	
DCV Basic Accuracy	0.02%	0.03%	0.03%	0.1%	0.5%
Auto Ranging	Yes	Yes	----	----	----
Ohms Measurement	2 wires	2 wires	2 wires	2 wires	2 wires
Max. Current Range	20A	20A	20A	20A	20A
Interface	RS-232 GPIB	----	----	----	----

Model #	Description	Price
GDM-8034	3½ Digits	\$ 185
GDM-8135	3½ Digits	\$ 260
GDM-8145	4½ Digits	\$ 335
GDM-8245	50000 counts, dual display	\$ 375
GDM-8246	50000 counts, dual display w/RS-232	\$ 485
GDM-8246GM	50000 counts, dual display w/RS-232, GPIB	\$ 580

Model #	Description	Price
GDM-8251A	GW Instek GDM-8251 5½ digit Digital Multimeter, 120,000 counts	\$ 670
GDM-8255A	GW Instek GDM-8255 5½ digit Digital Multimeter, 199,000 counts	\$ 745

**Don't see the product you're looking for?
Visit our website at www.conres.com/test-equipment
or call us at 800.937.4688 to find out if the equipment
you need is in stock!**

**GW Instek Digital Multimeters
GDM Handheld Series**

The general measurement function includes DCV, ACV, DCA, ACA, R.

**GW Instek GDM-394,
GDM-396, GDM-395 Handheld**

GDM-394, GDM-396, and the GDM-395 Handheld Digital Multimeter feature 3999 counts with auto/manual ranging, capacitance, frequency Measurement, continuity beeper, and diode test, as well as data hold/relative mode. The GDM-394 also features high energy fused for 10A Range and the GDM-396 includes true RMS/RS232C.

BUY, RENT, LEASE!



GDM-394/396



GDM-395

**GW Instek GDM-350A,
GDM-356 Handheld Digital
Multimeters**

GDM-350A and the GDM - 356 Handheld Digital Multimeters feature 3½ digits and 1999 counts, manual ranging, continuity beeper and diode test, and temperature measurement. The GDM - 350A also features capacitance measurement and frequency measurement.



GDM-350A Shown

GW Instek GDM-451 Handheld

The GDM-451 has 4½ digits with 19999 counts, and includes: manual ranging, continuity check, and diode test, data hold, temperature measurement, capacitance, and frequency measurement.



GDM-451

Model #	Description	Price
GDM-394	3¾ Digits	\$ 67
GDM-396	3¾ Digits	\$ 96
GDM-395	3¾ Digits	\$ 31
GDM-350A	3½ Digits	\$ 15
GDM-356	3½ Digits	\$ 41
GDM-451	4½ Digits	\$ 79

Power Supplies

GW Instek PSM Series Dual Range Programmable Power Supplies

PSM-2010: Dual Range 0~8V, 0~20A/0~20V, 0~10A Output

PSM-3004: Dual Range 0~15V, 0~7A/0~30V, 0~4A Output

PSM-6003: Dual Range 0~30V, 0~6A/0~60V, 0~3.3A Output

Prices Starting at \$880



GW Instek GPS Series Single Output Power Supplies

GPS-1830D: 0~18V, 0~3A Output

GPS-1850D: 0~18V, 0~5A Output

GPS-3030D: 0~30V, 0~3A Output

GPS-3030DD: 0~30V, 0~3A Output; Dual Display

Prices Starting at \$199



GW Instek GPS Series Multi - Output Power Supplies

GPS-2303: Dual 0~30V, 0~3A Outputs

GPS-3303: Dual 0~30V, 0~3A and 5V 3A Outputs

GPS-4303: Dual 0~30V, 0~3A and 2.2~5.2V 1A, and 8~15V 1A

GPS-4251: Dual 0~25V, 0~0.5A and 3~6V 2.5A and 8~15V 1A

Prices Starting at \$370



GW Instek SPS Series Single Output Switch Mode Power Supplies

SPS-1203: 0~12V, 0~30A Output

SPS-1820: 0~18V, 0~20A Output

SPS-3610: 0~36V, 0~10A Output

SPS-606: 0~60V, 0~6A Output

Prices Starting at \$550



GW Instek GPC Series Triple Output Power Supplies

GPC-1850D: Dual 0~18V, 0~3A and 5V 3A Outputs

GPC-3020D: Dual 0~30V, 0~2A and 5V 3A Outputs

GPC-3030D: Dual 0~30V, 0~3A and 5V 3A Outputs

Prices Starting at \$460



GW Instek GPC Series High Output Triple Output Power Supplies

GPC-3060D: Dual 0~30V, 0~6A and 5V 3A Outputs

GPC-6030D: Dual 0~60V, 0~3A and 5V 3A Outputs

Prices Starting at \$825**GW Instek GPR-M Series Single Medium Output Power Supplies**

GPR-1810HD: 0~18V, 0~10A output

GPR-3060D: 0~30V, 0~6A output

GPR-6030D: 0~60V, 0~3A output

Prices Starting at \$360**GW Instek GPR-H Series Single High Output Power Supplies**

GPR-0830HD: 0~8V, 0~30A output

GPR-1820HD: 0~18V, 0~20A output

GPR-3510HD: 0~35V, 0~10A output

GPR-6060D: 0~60V, 0~6A output

GPR-7550D: 0~75V, 0~5A output

GPR-11H30D: 0~110V, 0~3A output

GPR-30H10D: 0~300V, 0~1A output

Prices Starting at \$680**GW Instek PST/PSS/PSP Series Programmable DC Power Supplies**

PST-3202: Dual 0~32V, 0~2A and 0~6V, 0~5A output

PST-3201: Triple 0~32V, 0~1A output

PSS-2005: 0~20V, 0~5A output

PSS-3203: 0~32V, 0~3A output

Prices Starting at \$360**GW Instek PSH/PSM/PSP Series Programmable Switching Power Supplies**

PSH-1036: 0~10V, 0~36A output

PSH-1070: 0~10V, 0~70A output

PSH-10100: 0~10V, 0~100A output

PSH-2018: 0~20V, 0~18A output

PSH-2035: 0~20V, 0~35A output

PSH-2050: 0~20V, 0~50A output

PSH-3610: 0~36V, 0~10A output

PSH-3620: 0~36V, 0~20A output

PSH-3630: 0~36V, 0~30A output

PSH-6006: 0~60V, 0~6A output

PSH-6012: 0~60V, 0~12A output

PSH-6018: 0~60V, 0~18A output

PSP-2010: 0~20V, 0~10A output

PSP-405: 0~40V, 0~5A output

PSP-603: 0~60V, 0~3.5A output

Prices starting at \$720 (PSH Series)**Prices starting at \$280 (PSP Series)**

FLEXIBLE FINANCING OPTIONS!

Rent, Lease, or Buy Test Instruments

Test and Measurement equipment may be purchased, rented, or leased. Our flexible financing and term options, along with an extensive inventory of state-of-the-art equipment ensure you get what you want – where, when, and for however long you need it.

1. **Rent** – When you're working on an R&D project, have an emergency, or are simply unsure of the technological life or future need for equipment then the Continental Resources, Inc. (CRI) month-to-month rental program may be right for you. We offer competitive rates without a long-term commitment. If you think you're going to want to buy the unit after renting; you may want to try our rent-to-own option.
2. **Rent with Credit Options** – CRI offers Rent Credit options., which allow you to put part of your rental money towards purchase. If you plan to purchase the unit down the road, are uncertain of future need or technology, or want to gain experience with the equipment before committing to a purchase, then CRI's flexible option plans put your rental money to work for you.
3. **Lease** – Our multiple financing and term options allow you the flexibility to buy what you need today.
4. **Buy** – CRI offers an extensive inventory of state-of-the-art new and reconditioned equipment from some of the top industry-leading manufacturers

New Test Equipment for Sale

We are a distributor and reseller for such quality manufacturers as Agilent, Tektronix, Rohde & Schwarz, QuadTech, Keithley, Times Microwave, GW Instek and Fluke Networks. Our sales specialists are ready to help you choose the products that are right for you. We offer the latest in oscilloscopes; spectrum, network and logic analyzers; as well as signal and function generators; RF cables and accessories.

Reconditioned Test Equipment for Sale

CRI offers a complete selection of reconditioned instruments at substantial savings over manufacturers' suggested list prices. Because these products have been maintained under our strict NIST-traceable schedule, you can count on reliable, fully tested and calibrated instruments every time. CRI offers flexible payment plans as well.

We Buy Your Equipment

Our Test and Measurement Division is always in the market for the latest test and measurement equipment. Turn idle equipment into cash or use it to invest in newer technology. Learn more about our Trade Up program by visiting www.conres.com/tradeup.html

Keith Cornish,
Vice President, Test and Measurement Division,
Continental Resources, Inc.

**NINE GOOD REASONS TO RELY ON
CONTINENTAL RESOURCES
FOR ALL OF YOUR TEST EQUIPMENT NEEDS**

Continental Resources Certified 9 Point Quality Program

Continental Resources (CRI) offers a wide variety of test equipment with flexible rental, lease, or purchase plans. At CRI, we are committed to understand our customers' requirements and exceeding their expectations for performance, reliability and safety. All our products have gone through CRI Certified Nine Point Inspection Program and are of the highest quality.

Our 9 Point Process:

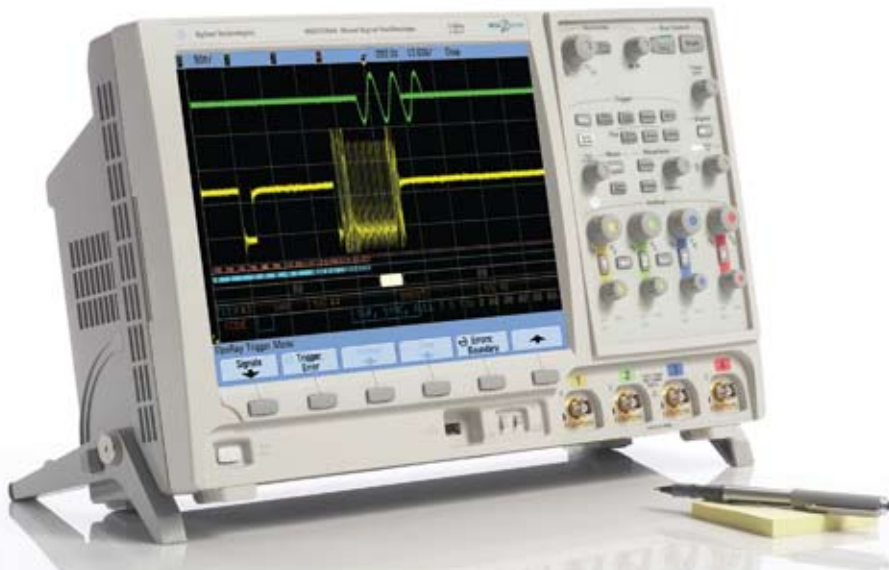
1. Thorough internal inspection to review wires, cables, and filters – repair and replace as necessary.
2. Inspect external features for functionality and cosmetic imperfections – repair/replace as necessary.
3. CRI Engineers/Technicians are trained to ANSI/ISO/ASQC workmanship standards to guarantee the highest quality inspection.
4. Burn-in repaired/refurbished equipment to ensure functionality.
5. Calibrate to manufacturer's specifications following manufacturer's CAL procedures and using instruments traceable to NIST.
6. Calibration certificates are shipped with unit at no charge.
7. All inspections conducted in accordance with ISO 9001:2000 standards and practices. File # 6120.
8. Complete quality audit of instruments guarantees CRI standards are met.
9. All-inclusive, pre-flight check ensures you receive fully accessorized, fully functional test equipment on time, every time.

Contact us Today for More Information!

800.937.4688

Debug automotive designs faster

New Agilent InfiniiVision 7000 Series Oscilloscopes with CAN, LIN & FlexRay support



Agilent InfiniiVision 7000 Series oscilloscopes

Bandwidth	350 MHz, 500 MHz, 1 GHz
Channels	2 or 4 analog + 16 digital on MSOs
Waveform update rate	Up to 100,000 waveforms per second
Connectivity	USB, LAN, XGA out
Display	12.1" XGA LCD
Footprint	6.5" deep, 13 lbs.
Applications	PC, SPL, CAN/LIN/FlexRay, RS-232/UART, Xilinx and Altera FPGA, Segmented Memory, Vector Signal Analysis, Offline PC-based analysis of acquired data, Power

5 new digital scope models and 5 new mixed-signal scope models

The new Agilent Technologies InfiniiVision 7000 Series digital storage oscilloscopes (DSOs) and mixed signal oscilloscopes (MSOs) offer the industry's largest screen (12.1") and fastest uncompromised update rate.

Plus, they offer these solutions you need to efficiently and effectively debug your embedded automotive designs.

- Integrated serial triggering for testing your CAN/LIN and FlexRay serial buses
- Real-time protocol decode update rates using hardware-accelerated protocol decoding
- Precision differential active probes
- Mixed-signal measurements across analog sensors, serial buses, and digital ECU signals

Call for Pricing • 800.937.4688

For more information on this product visit:
www.conres.com/test-equipment/DSO_MSO7000.html



Agilent Technologies



**CONTINENTAL
RESOURCES, INC.**



Featured
Product!

Agilent EXA Series Signal Analyzers

The outstanding accuracy of the EXA lets you accelerate from design into manufacturing and helps reduce your overall cost of test. When you need speed without compromise, the Agilent EXA signal analyzer lets you make every millisecond count.



Features:

- Up to 300% faster than other economy class analyzers
- Frequency range: 9kHz to 3.6, 7, 13.6 or 26.5GHz
- RBW: 1Hz to 8MHz
- DANL: -146dBm/Hz
- 0.3dB absolute amplitude accuracy
- +13dBm third order intercept (TOI)
- Spectrum analysis, Mobile WiMAX, W-CDMA, HSDPA/HSUPA and phase noise measurement applications
- 89600 VSA Software embedded
- Modern connectivity: LXI-C certified, USB, 100based-T LAN, and GPIB

FOR RENT ONLY!

CALL FOR PRICING
800-937-4688 (OPT 2)

Eliminate the compromise between speed and price!

The Agilent EXA is the industry's fastest economy-class signal analyzer. Its speed and accuracy, coupled with its unprecedented performance and application coverage, provides development and manufacturing engineers with the capabilities to cost-effectively troubleshoot new designs, increase manufacturing throughput, or analyze complex and time-varying signals.

The EXA seamlessly integrates a broad range of standards-based measurements with Agilent's industry leading 89600 vector signal analysis (VSA) software - all in a single instrument. In addition to the use of an open Windows® XP Professional operating system, the EXA provides an advanced signal analysis user interface. All measurement features and functions are intuitively grouped and accessible from the front panel or via a USB keyboard and mouse.

Optional measurement application software provides preconfigured test routines for 802.16e MobileWiMAX, W-CDMA, HSDPA/HSUPA, GSM/EDGE, and phase noise applications. Running the Agilent 89600 VSA software application in the EXA enables advanced signal demodulation analysis and troubleshooting of more than 50 demodulation formats including: 2G, 3G, 3.5G, WiMAX, WLAN and Private Mobile Radio.

For more information on this product visit:
www.conres.com/test-equipment/EXA.html

Call for Pricing! 800.937.4688

Featured Product!



Certified Distributor



Tektronix DPO/DSA 70000 Series Digital Phosphor Oscilloscopes

The Tektronix DPO/DSA70000 Series are the new generation of DPO/DSA's. DPO's provide you the best solution for signal integrity issues in verifying, characterizing, debugging, and testing your electronic designs. The specialized DSA70000 models provide you a complete and dedicated solution for your high-speed serial designs challenges. The family provides exceptional signal acquisition, comprehensive analysis and compliance tools, is simple to use, and the 12.1 inch display screen is the largest in the industry.



FOR RENT ONLY!
CALL FOR PRICING
800-937-4688 (OPT 2)

Applications:

- Signal Integrity, Jitter and Timing Analysis
- Verification, Debug and Characterization of Sophisticated Designs
- Debugging and Compliance Testing of Serial Data Streams for Telecom and Datacom Industry Standards
- Low-speed Serial Bus Design and Analysis (I2C, SPI, CAN, LIN)
- Investigation of Transient Phenomena
- Power Measurements and Analysis
- Spectral Analysis
- Automotive Electronics
- Easy Design Development for Video Applications

For more information on this product visit:

www.conres.com/test-equipment/DPO_DSA70000_models.html

	DPO70404	DPO70604	DPO70804	DSA70404	DSA70604	DSA70804
Bandwidth	4GHz	6GHz	8GHz	4GHz	6GHz	68GHz
Sample Rate	25GSa/s	25GSa/s	25GSa/s	25GSa/s	25GSa/s	25GSa/s
Record Length 1 ch/ 2 ch/ 4 ch	10M	10M	10M	20M	20M	20M
Channels	4	4	4	4	4	4
Price	\$ 44,000	\$ 55,500	\$ 70,000	\$ 49,500	\$ 62,500	\$ 78,500

NEW !	DSA72004	DSA71604	DSA71254	DPO72004	DPO71604	DPO71254
Bandwidth	20GHz	16GHz	12.5GHz	20GHz	16GHz	12.5GHz
Sample Rate	50GSa/s	50GSa/s	50GSa/s	50GSa/s	50GSa/s	50GSa/s
Record Length 1 ch/ 2 ch/ 4 ch	20M	20M	20M	10M	10M	10M
Channels	4	4	4	4	4	4
Price	\$ 158,000	\$ 125,000	\$ 99,500	\$ 141,000	\$ 111,000	\$ 88,500

Logic Analyzers



Agilent Logic Analyzer Mainframe

AT 16903A	3 - Slot Mainframe
AT 16902A	6 Slot Mainframe
AT 16702B	Built - in 800x600 touch screen Mainframe
AT 1680A	200MHz State, 800MHz Time, 1M Dp. Mem, 136CH
AT 1681A	200MHz State, 800MHz Time, 1M Dp. Mem, 102ch
AT 1682A	200MHz State, 800MHz Time, 1M Dp. Mem, 68ch
AT 1683A	200MHz State, 800MHz Time, 1M Dp. Mem, 34ch
AT 1680AD	200MHz State, 800MHz Time, 4M Dp. Mem, 136ch
AT 1681AD	200MHz State, 800MHz Time, 4M Dp. Mem, 102ch
AT 1682AD	200MHz State, 800MHz Time, 4M Dp. Mem, 68ch
AT 1683AD	200MHz State, 800MHz Time, 4M Dp. Mem, 34ch



Tektronix TLA7000 Series Logic Analyzers

TEK TLA7012	2 Slot Portable mainframe
TEK TLA7016	6 Slot Portable mainframe
TEK TLA715	4 Slot Color Portable mainframe
TEK TLA721	10 Slot Mainframe
TEK TLA5201	2GHz Time, 235MHz State, 34ch mainframe
TEK TLA5202	2GHz Time, 235MHz State, 68ch mainframe
TEK TLA5203	2GHz Time, 235MHz State, 102ch mainframe
TEK TLA5204	2GHz Time, 235MHz State, 136ch mainframe
TEK TLA7AA3	120MHz State, 8GHz Time, 102ch Module
TEK TLA7AA4	Logic Analyzer Module, 136ch
TEK TLA7AB4	120MHz State, 8GHz Time, 136ch Module
TEK TLA7N4	136ch Logic Analyzer Module

Logic Analyzer Cards

AT 16910A	4GHz Time, 250MHz State, 102ch Module
AT 16911A	4GHz Time, 64k Dp. Mem, 68ch Module
AT 16950A	4GHz Time, 64k Dp. Mem, 68ch Module
AT 16760A	1250Mb/s State, 800MHz Time, 34ch Module
AT 16750A	400MHz State, 2GHz Time, 68-340ch Module
AT 16750B	400MHz State, 2GHz Time, 68-340ch Module
AT 16751A/B	400MHz State, 2GHz Time, 16M Dp. 68ch Module
AT 16752A/B	400MHz State, 2GHz Time, 32M Dp. 68ch Module
AT 16753A/B	600MHz State, 4GHz Time, 64k Dp. Mem, Module
AT 16720A	48ch Pattern Gen. Module for 1670x
AT 16715A	667MHz Time, 167MHz State, 340ch Module
AT 16716A	67MHz State, 2GHz Time, 68ch Module
AT 16717A	2GHz Time, 333MHz State, 68ch Module
AT 16950B	68Channel, 4GHz Timing, 667MHz State Logic Analyzer Module



Agilent Power Meters

AT E4416A	EPM - P Series Power Meter
AT 89641A	Vector Signal Anlyz. DC-6.0GHz
AT 89601A	13GHz BW, 128Mbpts, VSA Software

Spectrum/Signal Analyzers



Agilent PSA Series Spectrum Analyzers

AT 36570A	Dynamic Signal Analyzer, 2ch
AT E4443A	PSA Spec. A., 3Hz-6.7GHz
AT E4445A	PSA Spec. A., 3Hz-13.2GHz
AT E4440A	PSA Spec. A., 3Hz-26.5GHz
AT E4447A	PSA Spec. A., 3Hz-42.98GHz
AT E4446A	PSA Spec. A., 3Hz-44GHz

Call for Pricing! 800.937.4688



Agilent E/EC Series Spectrum Analyzers

- | | |
|-----------|---------------------------------------|
| AT 8560E | RF Spec A., 30Hz-2.96GHz |
| AT 8560EC | RF Spec A., Color 30Hz-2.96GHz |
| AT 8561E | RF Spec A., Color 30Hz-6.5GHz |
| AT 8562E | Spec A., 30Hz-13.2GHz |
| AT 8562EC | Color Spec A., 30Hz-13.2GHz |
| AT 8563E | Portable Spec A. 9kHz-26.5GHz |
| AT 8563EC | Color Portable Spec A. 9kHz-26.5 GHz |
| AT 8564E | Spec A., 9kHz-40GHz |
| AT 8564EC | Color Spec A., 9kHz-40GH |
| AT 8565E | Millimeter Spec A., 9kHz-50GHz |
| AT 8565EC | Color Millimeter Spec A., 9kHz-50 GHz |



MXA Signal Analyzer

- | | |
|-----------|--|
| AT N9020A | 3.6, 8.4, 13.6, and 26.5GHz
(Rental Only) |
|-----------|--|

Real-Time Spectrum Analyzers



Tektronix Spectrum Analyzers

- | | |
|----------------|---|
| TEK RSA3303A/B | DC-3GHz Spec. A. |
| TEK RSA3308A/B | DC-8GHz Spec. A. |
| TEK WCA280A | 8GHz Wireless Communication Analyzer |
| TEK RSA3408A/B | 8GHz real time spectrum analyzer, 36MHz bandwidth |
| TEK RSA6106A | 6.2GHz Spec. A |
| TEK RSA6114A | 14GHz Spec A |



Agilent ESA-E Series Spectrum Analyzers

- | | |
|-----------|------------------------------|
| AT E4402B | ESA-E Spec. A., 9kHz-3GHz |
| AT E4404B | ESA-E Spec. A., 9kHz-6.7GHz |
| AT E4405B | ESA-E Spec. A., 9kHz-13.2GHz |
| AT E4407B | ESA-E Spec. A., 9kHz-26.5GHz |



Agilent Signal Source Analyzer

- | | |
|-------------|-----------------------------------|
| AT E5052A/B | Signal Source Analyzer 10MHz-7GHz |
|-------------|-----------------------------------|



R&S FSQ Series Signal Analyzers

- | | |
|-----------|----------------------------|
| ROH FSQ3 | Signal Anlyz., 20Hz-3.6GHz |
| ROH FSQ8 | Signal Anlyz., 8MHz |
| ROH FSQ28 | Signal Anlyz., 26.5GHz |
| ROH FSQ40 | Signal Anlyz., 20Hz-40GHz |



Agilent Portable Spectrum Analyzer

- | | |
|----------|----------------------|
| AT 8595E | Spec. A. 9KHz-6.5GHz |
| AT 8591E | Portable Spec A |



R&S FSP Series Spectrum Analyzers

- | | |
|-----------|-------------------------------|
| ROH FSP3 | Spectrum Analyzer, 9kHz-3GHz |
| ROH FSP7 | Spectrum Analyzer, 9kHz-7GHz |
| ROH FSP13 | Spectrum Analyzer, 9kHz-13GHz |
| ROH FSP30 | Spectrum Analyzer, 9kHz-30GHz |
| ROH FSP40 | Spectrum Analyzer, 9kHz-40GHz |



Agilent Network Spectrum Analyzer

- | | |
|----------|-------------------------------|
| AT 4395A | Network/Spec A. 10Hz-500MHz |
| AT 4396B | Network/Spec A. 100kHz-1.8GHz |



R&S Hand Held Spectrum Analyzers

- | | |
|------------|---------------------------------|
| ROH FSH3 | Hand Held Spec. A., 3 GHz |
| ROH FSH313 | Hand Held Spec. A., 100kHz-3GHz |
| ROH FSH323 | Hand Held Spec. A., 100kHz-1GHz |
| ROH FSH6 | Hand Held Spec. A., 6GHz |
| ROH FSH626 | Hand Held Spec. A. 100kHz-6GHz |



EXA Signal Analyzer

- | | |
|-----------|-----------------------------|
| AT N9010A | 3.6, 7.0, 13.6, and 26.5GHz |
|-----------|-----------------------------|

BUY, RENT, LEASE!

Rental & CRI Certified Reconditioned Inventory



Agilent N5000 Series Signal Analyzers

- AT N5230A 2 port 10MHz to 20, 40, 50GHz/
300kHz, 130dB
- AT N5230A 4 port 300kHz to 13.5, 20GHz, 130dB
- AT N5242A 10MHz to 26.5GHz, 2 or 4 ports,
130dB

Signal Generators



Agilent Synthesized Signal Generators

- HP 83711B Synthesized CW Sig. Gen., 1-20GHz
- HP 83712B Synthesized CW Sig. Gen.,
10MHz-20GHz
- HP 83732B Synthesized CW Sig. Gen.,
10MHz-20GHz
- HP 83752B Sweep Gen, .01 - 20GHz (High Power)
- HP 83620B Synthesized Sweep Gen, 10MHz-20GHz
- HP 83623B Sweep Gen, .01 - 20GHz
(High Power)
- HP 83640B Synthesized Sweep Gen, 10MHz-40GHz
- HP 83650B Synthesized Sweep Gen, 10MHz-50GHz



Agilent RF Signal Generators

- AT E4400B ESG-A RF Sig. Gen.
250kHz-1GHz
- AT E4420B RF Sig. Gen., 250kHz to 2GHz
- AT E4421B RF Sig. Gen. 250kHz-3GHz
- AT E4422B RF Sig. Gen., 250kHz-4.0GHz
- AT E4430B Digital Sig. Gen., 250kHz-1GHz
- AT E4431B ESG-D Digital RF Sig. Gen.,
2GHz
- AT E4432B ESG-D Series RF Sig. Gen. 250kHz-
3GHz
- AT E4433B ESG-D Digital Sig. Gen.
- AT E4438C Vector Sig. Gen., 250kHz - 3GHz



Agilent 8648 Series RF Signal Generators

- AT 8648A RF Sig. Gen., 0.1-1000MHz
- AT 8648B RF Sig. Gen., 9kHz-2GHz
- AT 8648C RF Sig. Gen., 9kHz-3200MHz
- AT 8648D RF Sig. Gen., 9kHz-4GHz



R&S SMU200A Signal Generator

- ROH SMU200A 200MHz, -135dBc. +19dBm,



Agilent PSG Series Signal Generators

- AT E8257D PSG Analog Sig. Gen., 250kHz-20GHz
- AT E8267D PSG Vector Sig. Gen.,
(Internal Hard drive) 6 GB



Agilent MXG Signal Generators

- AT N5181A 250kHz to 1, 3 or 6GHz (settable
down to 100kHz)
- AT N5182A 250kHz to 3 or 6GHz (settable
down to 100kHz)

Call for Pricing! 800.937.4688

Signal Generators Cont...



R&S Signal Generators

- ROH SMA100A Sig. Gen., 9kHz to 3GHz
- ROH SMU200A Vector Sig. Gen., 100kHz-6GHz
- ROH SML03 Sig. Gen.; 9kHz-3.3GHz, AM,FM
- ROH SMIQ03B Vector Sig. Gen., 300kHz-3.3GHz
- ROH SMIQ06B Vector Sig. Gen., .3-6.4GHz



**Tektronix 3000 Series
Arbitrary Function
Generators**

- TEK AFG3021 Arb./Func. Gen., 1MHz-25MHz, 1ch
- TEK AFG3022 Arb. Func. Gen., 25MHz, 2ch
- TEK AFG3101 Arbitrary Function Gen., 100MHz
- TEK AFG3102 Arbitrary Function Gen., 100MHz
- TEK AFG3251 Arbitrary Function Gen., 240MHz
- TEK AFG3252 Arb./Func. Gen., 1MHz-240MHz, 2ch
- TEK AFG320 Arbitrary Function Gen., 2ch

Pulse/Function Generators



**Agilent Pulse/Pattern
Generators**

- AT 81134A Pulse/Pattern Gen., 3.35GHz, 2ch
- AT 8133A High Speed Pulse Gen., 33.0MHz-3.0GHz
- AT 81101A Pulse Gen., 50MHz, 10V
- AT 81104A Pulse Pattern Gen., 80MHz
- AT 81105A O/P ch for 81104A, 80MHz, 10V
- AT 81110A Pulse/Pattern Gen. Mainframe, 330/165MHz
- AT 81111A 165MHz Module for 81110A
- AT 81112A 330MHz Module for 81110A
- AT 81130A Pulse/Pattern Gen. Mainframe, 400/660MHz
- AT 81131A 400MHz Module for 81130A
- AT 81132A 600MHz Module for 81130A



**Tektronix Arbitrary
Function/Waveform
Generators**

- TEK AWG610 Arb. Waveform Gen., up to 800MHz
- TEK AWG710 Arb. Func. Gen., 1ch w/16MB Mem.
- TEK AWG710B Arbitrary Waveform Gen., 4.2GSa/s
- TEK AWG2021 Arbitrary Waveform Gen., 250MSa/s

- AT 33120A Func./Arb. Wave Gen., 100uHz-15MHz
- AT 33220A Func./Arb. Waveform Gen., 20MHz
- AT 33250A Func./Arb. Waveform Gen., 80MHz
- AT 3325B Synth./Func. Generator 1Hz-21MHz
- AT 3314A Prog. Func. Gen. (0.001Hz-19.99MHz)
- AT 8116A Pulse Function Generator, 1MHz 50MHz



**Tektronix AWG7000
Series Arbitrary Waveform
Generator**

- TEK AWG7102 10GSa/s, 20psp-p, 45ps TR/TF, +100ps Range
- TEK AWG7101 10GSa/s, 8/10BIT, 32M point, 1ch
- TEK AWG7052 5GSa/s, 8/10BIT, 32M point 2ch
- TEK AWG7051 5GSa/s, 8/10BIT, 32M point 1ch



**Tektronix AWG5000 Series
Arbitrary Waveform
Generators**

- TEK AWG5002 600MSa/s, 2ch, 14bits, 16M point/ch Arbitrary Waveform Generator
- TEK AWG5004 600MSa/s, 4ch, 14bits, 16M point/ch Arbitrary Waveform Generator
- TEK AWG5012 1.2GSa/s, 2ch, 14bits, 16M point/ch Arbitrary Waveform Generator
- TEK AWG5014 1.2GSa/s, 4ch, 14bits, 16M point/ch Arbitrary Waveform Generator

BUY, RENT, LEASE!

Rental & CRI Certified Reconditioned Inventory

RF Network Analyzers

ROH ZVA8/24/40 Network Analyzer, 8GHz
ROH ZVB4/8/20 2 port Vector. Anlyz., 300kHz
ROH ZVRE51 Network Analyzer, 9kHz - 4GHz, 3ch



**Agilent RF Vector
Network Analyzers**

AT 8714ES RF Vector Network Anlyz., 3GHz, 3ch
AT 8753ES RF Vector Network Anlyz. 30kHz-3GHz
AT 8720ES Network Analyzer, 50MHz-20GHz
AT 8722ES Network Analyzer, 50MHz-40GHz



**Agilent ENA-L/PNA-L
Network Analyzers**

AT E5062A ENA-L RF Network Analyzer,
300kHz-3GHz
AT E5070B RF Network Analyzer, 300kHz-3GHz
AT E5071B RF Network Analyzer, 300kHz-8.5GHz
AT E8362B Vector Network Anlyz., 10MHz-20GHz
AT E8363B PNA Network Analyzer, 40GHz
AT E5071C ENA RF Network Analyzer,
9kHz-8.5GHz
AT N5230A PNA-L Network Analyzers, 2 or 4
ports, up to 6, 13.5, 20, 40, or 50GHz
AT N5242A PNA-X Microwave Network
Analyzer, 10MHz to 26.5GHz

Scalar Network Analyzers



**Agilent Color Scalar
Network Analyzer**

AT 8757D Color Scalar Network Analyzer,
10MHz-110GHz



**Agilent Audio/Noise
Analyzers**

AT N8903B Audio/Distortion Anlyz., 20Hz-100kHz
AT N8973A Noise Fig. Anlyz., 10MHz-3GHz
AT N8974A Noise Fig. Anlyz., 10MHz-6.7GHz
AT N8975A Noise Fig. Anlyz., 10MHz-
26.5GHz

RF Power Meters



Agilent RF Power Meters

HP E4418B Single CH. PM, 100kHz-110GHz
HP E4419B Dual CH. PM, 75GHz-100GHz
HP E4416A Single CH. EPM-Peak PM
HP E8481A Thermocouple Power Sensor,
10MHz-18GHz
HP E8487A Power Sensor, 50MHz-50GHz
HP E8487D Diode Power Sensor, 50MHz-50GHz
HP N1911A Single CH. PM, 30MHz (P-Series)
HP E4412A Power Sensor, 10MHz-18GHz
HP E4413A Power Sensor, 50MHz-26.5GHz
HP E9301A Power Sensor (E-Series)
HP E9323A Peak/Avg. Power Sensor, 50MHz-6GHz
HP E9325A Peak/Avg. Power Sensor,
50MHz-18GHz
HP E9304A Power Sensor 9k-6GHz



**Giga-tronics RF Power
Meters**

GIG 8542C Dual ch. PM, 100kHz-40GHz
GIG 8652A Dual I/P, Digital PM
GIG 80401A DC Power Sensor, 18GHz
GIG 80701A Mod. Power Sensor, 50MHz-18GHz



**Boonton Peak
Power Meters/Analyzers**

BON 4400A RF Peak PM
BON 4500B RF Peak Power Analyzer
BON 56418 RF Power Sensor
BON 56518 RF Peak Power Sensor

Call for Pricing! 800.937.4688

Oscilloscopes



Tektronix Digital Phosphor Oscilloscopes Series

TEK DPO70404	Color DPO, 4GHz-4ch
TEK DPO70604	Color DPO, 6GHz-4ch
TEK DPO70804	Color DPO, 8GHz-4ch
TEK DSA70404	Color DSA 4GHz-4ch
TEK DSA70604	Color DSA 6GHz-4ch
TEK DSA70804	Color DSA 8GHz-4ch
TEK DPO7054	Color DPO, 500MHz-4ch
TEK DPO7104	Color DPO, 1GHz-4ch
TEK DPO7254	Color DPO, 2.5GHz-4ch
TEK DPO4032	Color DPO, 350MHz-4ch
TEK DPO4034	Color DPO, 350MHz-4 ch
TEK DPO4054	Color DPO, 500MHz-4 ch
TEK DPO4104	Color DPO, 1GHz-4ch
TEK DSA71254	12.5GHz, 50GSa/s, 10M/20M
TEK DSA71604	16GHz, 50GSa/s, 10M/20M
TEK DPO3054	2.5GSa/s, 50k wfms/s, 4ch
TEK DPO3034	2.5GSa/s, 50k wfms/s, 4ch
TEK DSA72004	20GHz, 50GSa/s, 10M/20M



Tektronix TDS5000B Digital Phosphor Oscilloscope Series

TEK TDS5034B	Color DPO, 350MHz, 4ch
TEK TDS5054B	Color DPO, 500MHz, 4ch
TEK TDS5104B	Color DPO, 1GHz, 4ch



Tektronix TDS7000B Digital Phosphor Oscilloscope Series

TEK TDS7054B	Color DPO, 500MHz, 4ch
TEK TDS7104	Color DPO, 1GHz, 4ch
TEK TDS7154B	DPO 1.5GHz
TEK TDS7254B	Color DPO, 2.5GHz, 4ch
TEK TDS7404B	Color DPO, 4GHz
TEK TDS7704B	Color DPO 7GHz



Tektronix TPS2000 Digital Storage Oscilloscope Series

TEK TPS2014	DSO 4ch, 100MHz
TEK TPS2024	DSO 4ch, 200MHz



Tektronix THS700 Series

TEK THS720A	Handheld Dig. O'scope, 100MHz
TEK THS720P	Handheld Dig. O'scope, 100MHz, 2ch



Tektronix CSA Series

TEK CSA7404B	Comm Sig. Ana, 4GHz, 4ch, Color DPO
TEK CSA8000	Comm Signal Ana, 50GHz, DPO
TEK CSA8200	Comm Signal Analyzer, DPO
TEK 80E04	Elec. Sampling Module, 20GHz
TEK 80C03	Optical Sampling Module, 2.5GHz
TEK 80C08C	Optical Sampling Module, 10GHz
TEK 80C12	Optical Sampling Module, Multirate
TEK 80E08	70GHz, 5ps, -450uVRMS at 60GHz, 300uVRMS at 30GHz
TEK 80E10	70GHz, 5ps, -450uVRMS at 60GHz, 300uVRMS at 30GHz



Tektronix TDS2000 Digital Storage Oscilloscopes Series

TEK TDS2012	DSO 2ch, 100MHz
TEK TDS2014	DSO 4ch, 100MHz
TEK TDS2022	DSO, 200MHz
TEK TDS2024	DSO, 4ch, 200MHz
TEK TDS3012B	100MHz, 1.25GSa/s, 2ch
TEK TDS3014B	4ch, 100MHz-1.25GSa/s
TEK TDS3024B	200MHz, 4ch
TEK TDS3032B	300MHz, 2ch
TEK TDS3034B	300MHz, 4ch
TEK TDS3044B	400MHz, 5.0GSa/s, 4ch
TEK TDS3052B	Color DPO, 500MHz, 2ch, 5GSa/s
TEK TDS3054B	Color DPO, 500MHz, 4ch, 5GSa/s



Tektronix TDS6000 Digital Phosphor Oscilloscope Series

TEK TDS6604B	Color DPO, 6GHz, 4ch
TEK TDS6804B	Color DPO, 8GHz, 4ch
TEK TDS6124C	Color DPO, 12GHz
TEK TDS6154C	Color DPO, 15GHz

Oscilloscopes Cont...



Agilent Infiniium Oscilloscopes

- AT 54642D 2+16ch Mixed Signal O'scope, 500MHz
- AT 54833D 1GHz 2+16ch Infiniium Mixed SS
- AT 54622D 2+16 ch Mixed Signal O'scope, 100MHz
- AT 54624A 4ch-100MHz O'scope
- AT 54853A 2.5GHz Infiniium scope, 4ch, 20GSa/s
- AT 54855A Infiniium scope, 4GHz, 6GHz, 20GSa/s

Data Acquisition



Alcoa-Fujikara Fusion Splicers

- AF FSM-17S V-Groove Type Fusion Splicer
- AF FSM-40S-K Single Fiber Fusion Splicer (K=Cleaver)
- AF FSM-50R12 Mini Mass Fusion System

Field Test



Fluke Networks Cable Analyzer Series

- FLK DSP4300 Digital Cable Analyzer
- FLK DTX1800 Digital Cable Analyzer, CAT 5e, 6, 7
- FLK OF-500 Optifiber OTDR Mainframe
- FLK OFTM-5612 Multimode Module, 850/1300 nm
- FLK OFTM-5632 Singlemode Module, 1310/1550 nm
- FLK 8251-11 Laser Source 1310 nm for OFTM Modules
- FLK 8251-12 Laser Source 1550 nm for OFTM Modules
- FLK 8251-13 Led Source 850/1300 nm for OFTM Modules
- FLK RPM1650 VGA Monitor



Astro-Med Data Recorders

- ASM DASH8X 8ch Color Field and Lab Recorder
- ASM ASH10/20 20ch Recorder W/512k Samples
- ASM DASH16U 16ch Portable Recorder

- TCA LX-1016 Teac Corp 16ch Data Recorder
- TCA GX-1MU/A Teac Corp 16ch Recorder



Keithley Data Acquisition System

- KEI 2700 DMM/Data Acquisition System
- KEI 7700 20ch MUX Module for 2700

Digital Multimeters



Dranetz - BMI Power Analyzers

- DRA PX5 PowerXplorer Power Analyzer
- BK 2230S BRUEL & KJAER Sound Level Meter
- KT MZEC1 KeyTech ESD Simulator



Agilent Digital Multimeters

- AT 34401A 6.5 Digit Digital Multimeter
- AT 34410A 6.5 Digit Digital Multimeter
- AT 34411A 6.5 Enhanced Performance Digital
- AT 3458A 8.5 Digital Multimeter

Call for Pricing! 800.937.4688



Agilent Universal Counters

- HP 53131A Universal Counter, 225MHz
- HP 53132A 12 Digit Univ. Counter, 225MHz
- HP 53150A Microwave Freq. Counter, 20GHz
- HP 53151A CW Microwave Freq. Counter, 26.5GHz
- HP 53152A Microwave Counter/PM 46GHz

Agilent Electronic Loads



Agilent AC Sources/Analyzers

- AT 6811B AC Power Source Analyzer, 375VA
- AT 6812B AC Power Source Analyzer, 750VA
- AT 6813B AC Pwr Source Anly 0-300 rms, 1750VA
- AT N3300A Elec. Load Mainframe, 1800W DC
- AT N3301A Elec. Load Mainframe, 600W DC
- AT N3302A Elec. Load Module, 60V/30A, 150W
- AT N3303A Elec. Load Module, 240V/10A, 250W
- AT N3304A Elec. Load Module, 60V/60A, 300W
- AT N3305A Elec. Load Module, 500W
- AT N3306A Elec. Load Module, 600W



Keithley Digital Powersource

- KEI 2400 Digital Powersource, 20W, 200V
- KEI 580 Micro OhmMeter



Agilent Noise Figure Meter

- HP 8970B Noise Fig. Meter, 10-1600MHz



Fluke Networks Hydra Data Acquisition Series

- FLK 2686A Network Datalogging Mainframe
- FLK 2680A-PAI Precision Analog Input Module/268xA
- FLK 2680A-FAI Fast Analog Input Module/268xA
- FLK 2635A Hydra Series Data Acquisition-Datalogger
- FLK 2640A Netdaq HI Speed Data Acquisition
- FLK 2645A Netdaq HI Speed Data Acquisition



QuadTech MilliohmMeter

- QUA LR2000 Milli OhmMeter



Agilent Data Acquisition Switch Units

- HP 34970A Data Acquisition Switch Unit
- HP 34901A 20ch MUX Module for 34970A
- HP 34903A 20ch Actuator/GP Switch Module for 34970A
- HP 34908A 40ch Mux Module for 34970A



Tektronix Current Probes

- TCPA300 Amplifier AC/DC Current Probe, DC-100MHz
- TCPA400 Amplifier AC/DC Current Probe, DC-50MHz
- TCP202 Current DC Coupled Probe, 50MHz
- TCP303 AC/DC Current Probe, DC-15MHz, 150A DC
- TCP305 AC/DC Current Probe, DC-50MHz, 50A DC
- TCP312 AC/DC Current Probe, DC-100MHz, 30A DC
- TCP404 AC/DC Current Probe, DC-2MHz, 500A DC

BUY, RENT, LEASE!

Rental & CRI Certified Reconditioned Inventory

Component Test



**Quad Tech
Precision LCR Meter**

QUA 7600 Precision LCR Meter Wireless Testing



**Agilent Transmitter
Tester**

AT E5515C Communications Test Set 8960 Series
AT E4406A VSA Series Transmitter Tester,
7MHz-4GHz

AT E4991A RF Impedance/Material Anlyz.
1MHz-3GHz

AT 4284A Precision LCR Meter
AT 4285A Precision LCR Meter
AT 4294A Impedance Anlyz., 40Hz-110MHz
AT 4287A RF LCR Meter, 1MHz-3GHz



**Rohde & Schwarz
Wireless Communication**

ROH CMU200 Wireless Communications Test Set



**Spirent Wireless
Channel Emulator**

SPN SR5500 Wireless Channel Emulator
SPN SR5500/m Wireless Channel Emulator/mmo



**Data Communications
Analyzers**

HP 37718A Communications Performance Anlyz.
HP 86130A Error Performance Anlyz.
TTC6000A Fireberd Communication Anlyz.
TTC310 T-Berd Communication Anlyz.



**Tektronix Video
Measurement**

TEK WFM700M Waveform Monitor
TEK WFM7100 Waveform Monitor
TEK VM700T Video Measurement Set
TEK VM6000 Automated Video Measurement Set
TEK TG2000 Video Generator, NTSC, HD, PAL
TEK TG700 Multifformat Video Generator

Power Supplies



**Agilent DC Power
Supplies**

AT E3614A DC Pwr Sup, 3O/P, 6V/5A, 25V/1A
AT E3630A DC Pwr Sup, 3O/P, 6V/2.5A,
±20V / .5A

AT E3631A Prog. DC Power Supply, 80W, 3O/P
AT E3633A DC Pwr Sup, 0-8V, 20A
AT E3640A DC Pwr Sup 8V 3A or 20V 1.5A, 30W
AT E3641A DC Pwr Sup 35V .8A or 60V .5A, 30W
AT E3642A DC Pwr Sup 8V 5A or 20V 2.5A, 50W
AT E3648A 2O/P, DC Pwr Sup, 8V 5A or 20V 2.5A
AT E4356A DC Pwr Sup 70V 30A or 80V
26A 2100W

AT 6012B DC Power Supply, 60V, 50A
AT 6015A DC Power Supply, 500V, 50A, 1kW
AT 6024A DC Power Supply, 60V, 10A, 200-240W
AT 6031A DC Power Supply, 20V, 12A, 1kW
AT 6032A DC Power Supply, 60V, 50A, 1kW
AT 6611C DC Power Supply, 8V, 5A
AT 6624A DC Pwr Sup, 4O/P, 40W max per O/P
AT 6652A DC Power Supply, 20V, 25A

All products and manufacturer names are trademarks or registered trademarks of their respective companies. Pricing reflects U.S. dollar values and is subject to change without notice. Due to advances in technology, specifications subject to change without notice. Continental Resources, Inc. is not liable for typographical errors.
(c) 2008 Continental Resources, Inc. Printed in the U.S.A.

Call for Pricing! 800.937.4688



Two for the road.

The new compact R&S®ZVL offers network or spectrum analysis on the go.

Many users need both a network analyzer and a spectrum analyzer. But budgets are often tight and space is limited. And what about portability? Rohde & Schwarz has the answer: the new R&S®ZVL. It's the most compact and lightweight network analyzer in its class, and it's also a full-fledged spectrum analyzer.

At just 15.5 lbs, the R&S®ZVL gives you exceptional results in a bidirectional two-port network analyzer with spectrum analyzer functionality.

For more information on this product visit:
www.conres.com/test-equipment/DSO_MSO7000.html



R&S®ZVL Network & Spectrum Analyzer

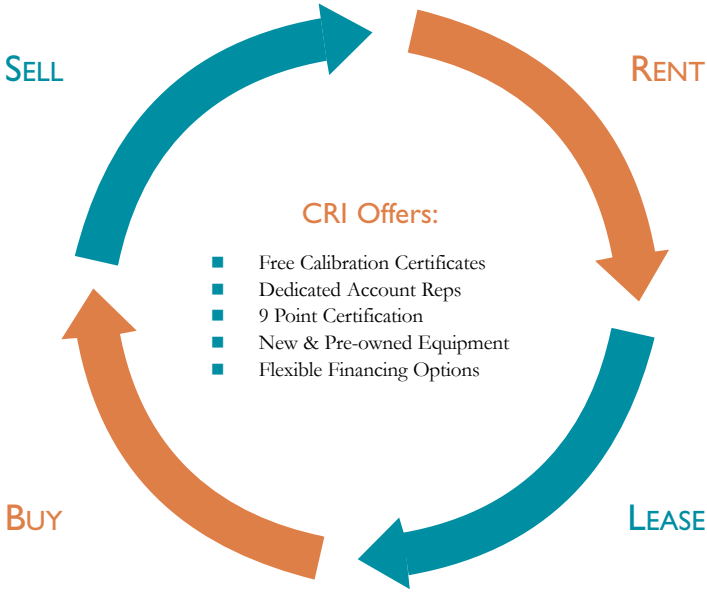


**CONTINENTAL
RESOURCES, INC.**



ROHDE & SCHWARZ

Call for Pricing • 800.937.4688



- Amplifiers
- Analyzers
 - Logic
 - Network
 - Power Line
 - Signal/FFT
 - Spectrum
 - Wave and Distortion
- Attenuators
- Counters
- Fiber Optics
- Filters
- Generators
 - Function
 - Pulse
 - Signal
 - Swept Frequency
 - Synthesizer
- Lightwave
- Mainframe Modules
- Meters
 - Analog Voltage, Current, Resistance
- Digital
 - Power
 - Sound Level
- OEM Products
- Oscillators
- Oscilloscopes
 - Analog
 - Digital
 - Modular
- Power Supplies-DC
- Probes
- Rackmount Computers
- Recorders
 - Data Acquisition
 - Plotters
 - Strip Chart
- Sources-Noise
- Telecommunications
- Test Bridges
- Test Sets

Call for Pricing! 800.937.4688

Since 1962, Continental Resources (CRI) has been a premier technology solutions provider in North America. As one of the first companies to enable electronics manufacturers not only to purchase, but also to rent and lease new and pre-owned test equipment, CRI began a tradition of helping businesses use technology to improve their efficiency and to grow.

CRI's Test and Measurement Division brings extensive inventories, broad experience and industry connections to a wide variety of applications including: datacom; telecom and mobile communications; digital and analog testing; mixed signal, memory, and processor testing; components and semiconductors; and RF and microwave. We offer electronic test equipment from Tektronix, Agilent, Fluke, QuadTech, Rohde and Schwarz and other respected manufacturers.

Contact Us Today! ■ 800.937.4688 ■ salestm@conres.com



www.conres.com/test-equipment/tmcatalog



Local Contacts Nationwide

**BOSTON
CALIFORNIA
CHICAGO
MARYLAND
NEW JERSEY
ORLANDO
TEXAS**

CRI 3057-0808-25

Continental Resources, Inc.
175 Middlesex Tpke. Ste. 1
PO Box 9137
Bedford, MA 01730-9137
Offices Nationwide

Change Service Requested

Please email us at dnm@conres.com to correct an address or contact name, or to be removed from our mailing list. Remember to include the name of the company name exactly as shown on the mailing address as it appears on this catalog.